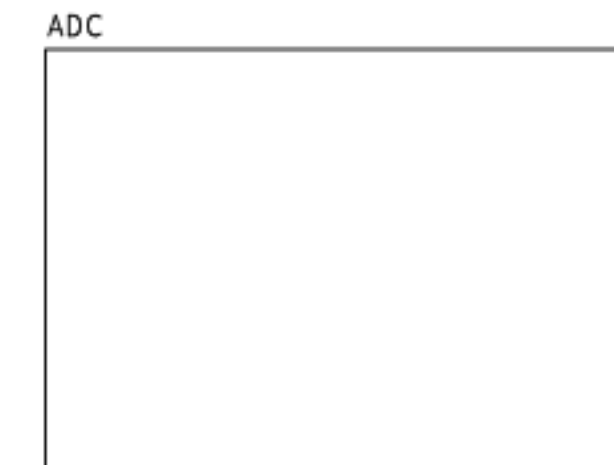
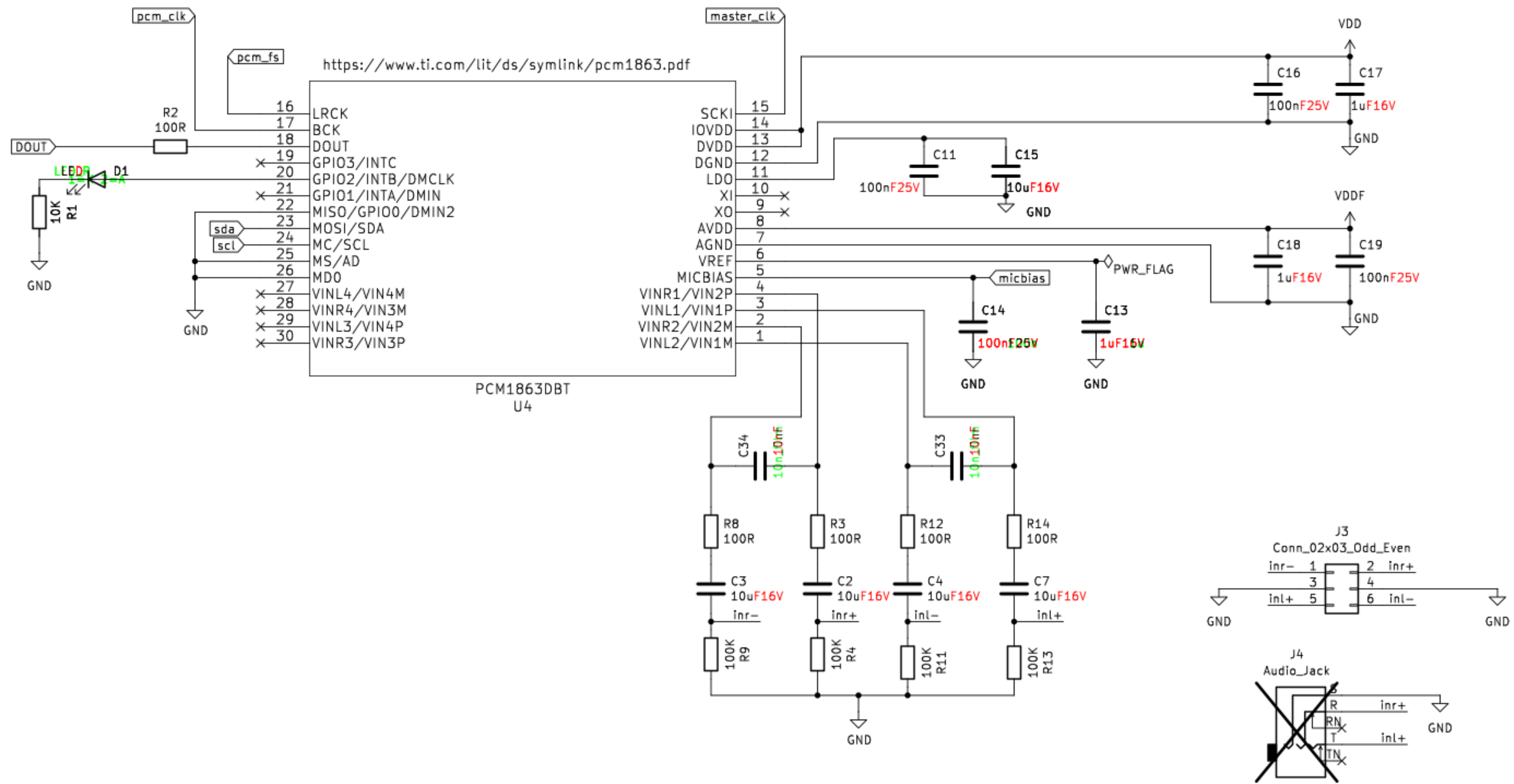


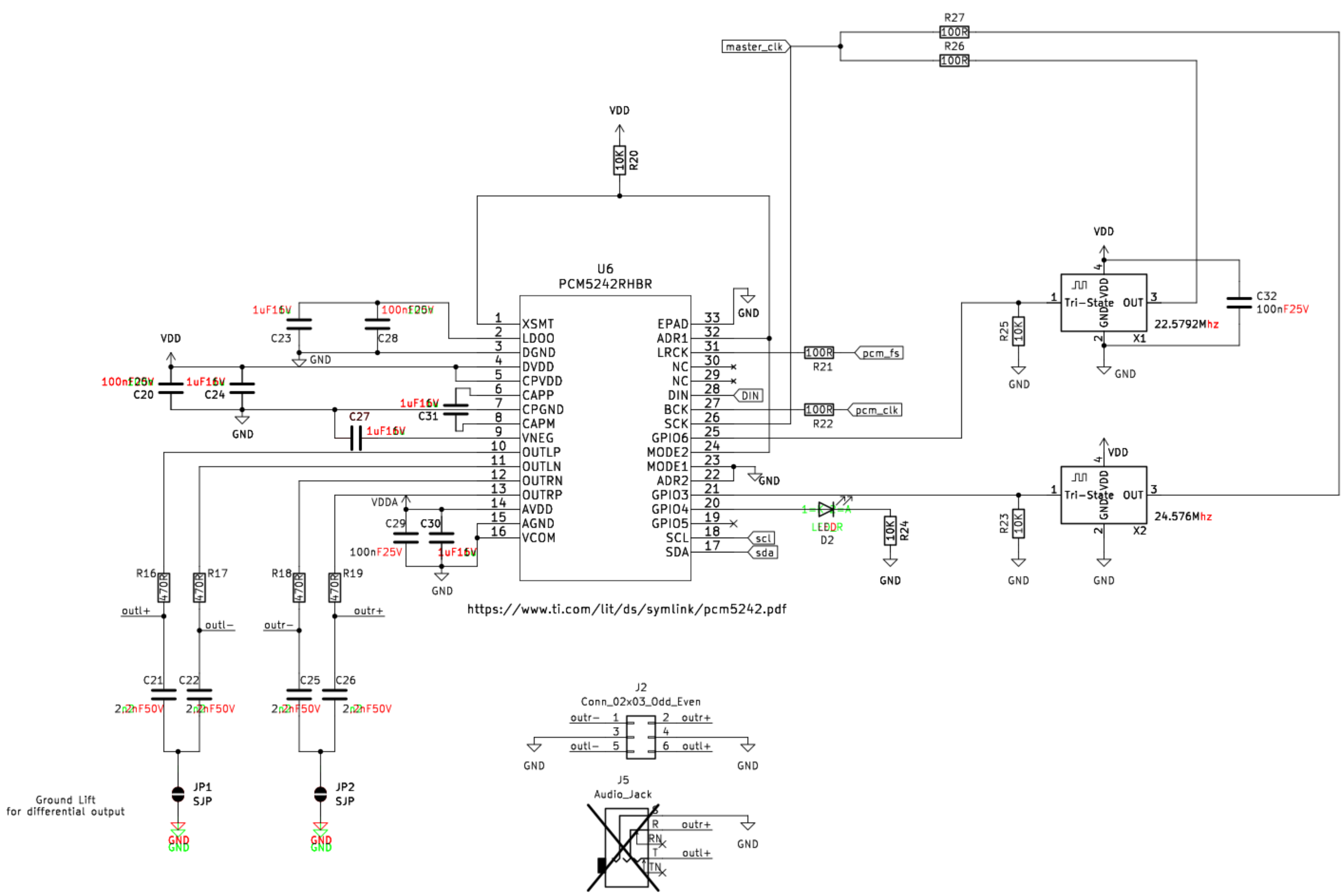
File: dac.kicad_sch



File: adc.kicad_sch







Ground Lift for differential output

