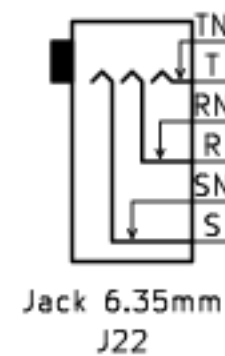
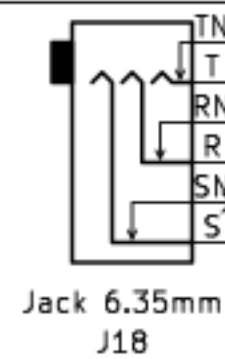
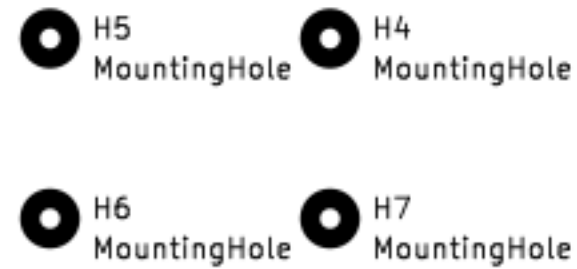
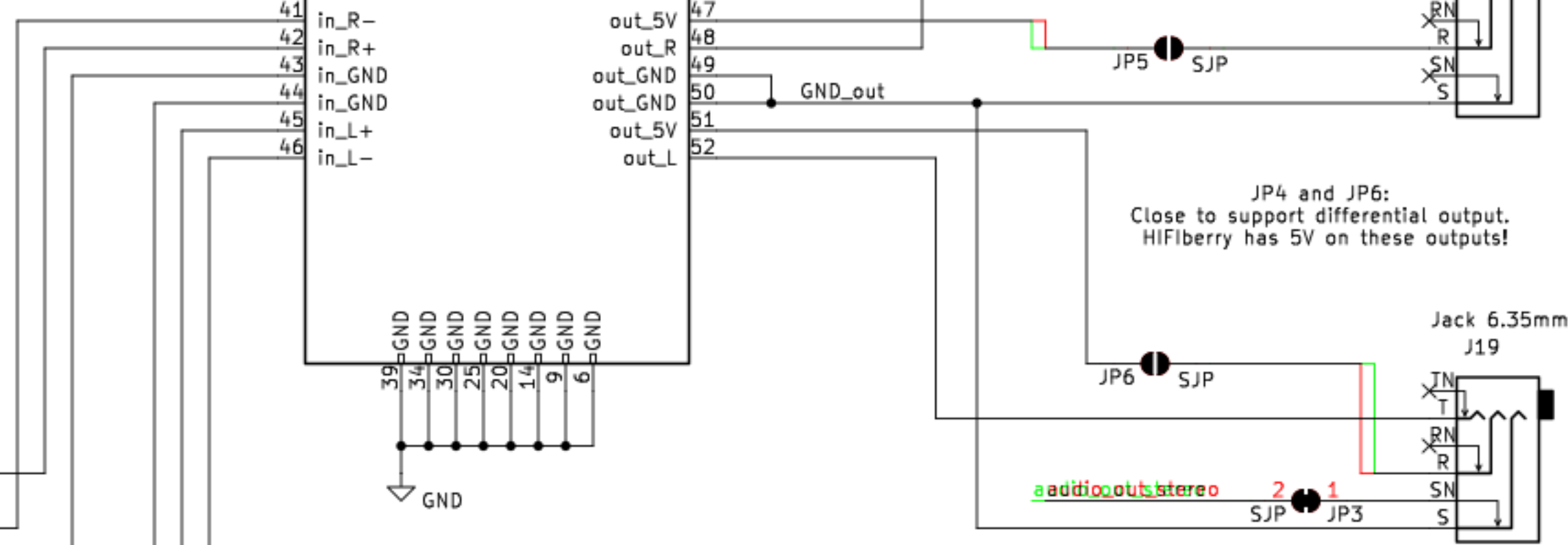
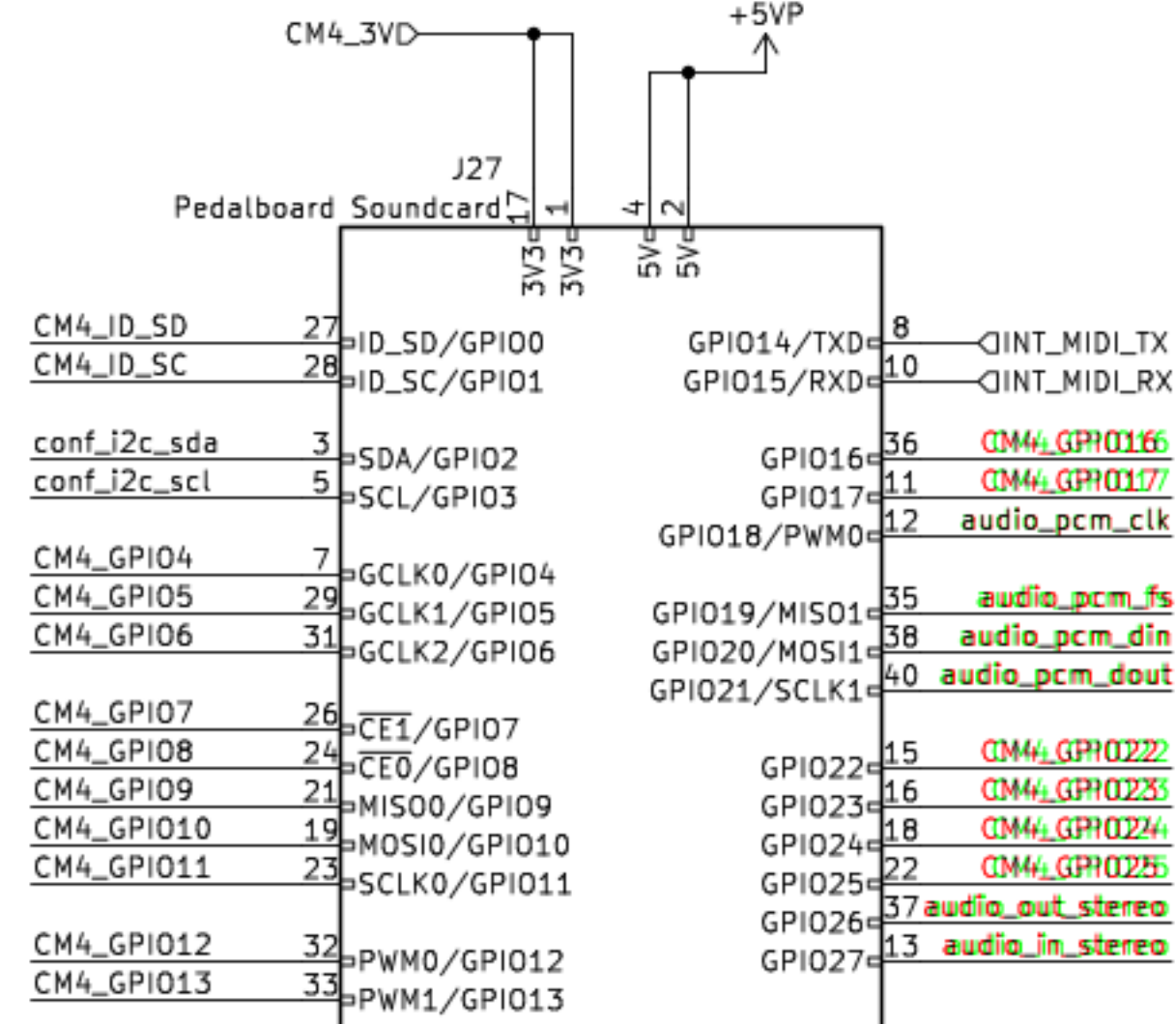
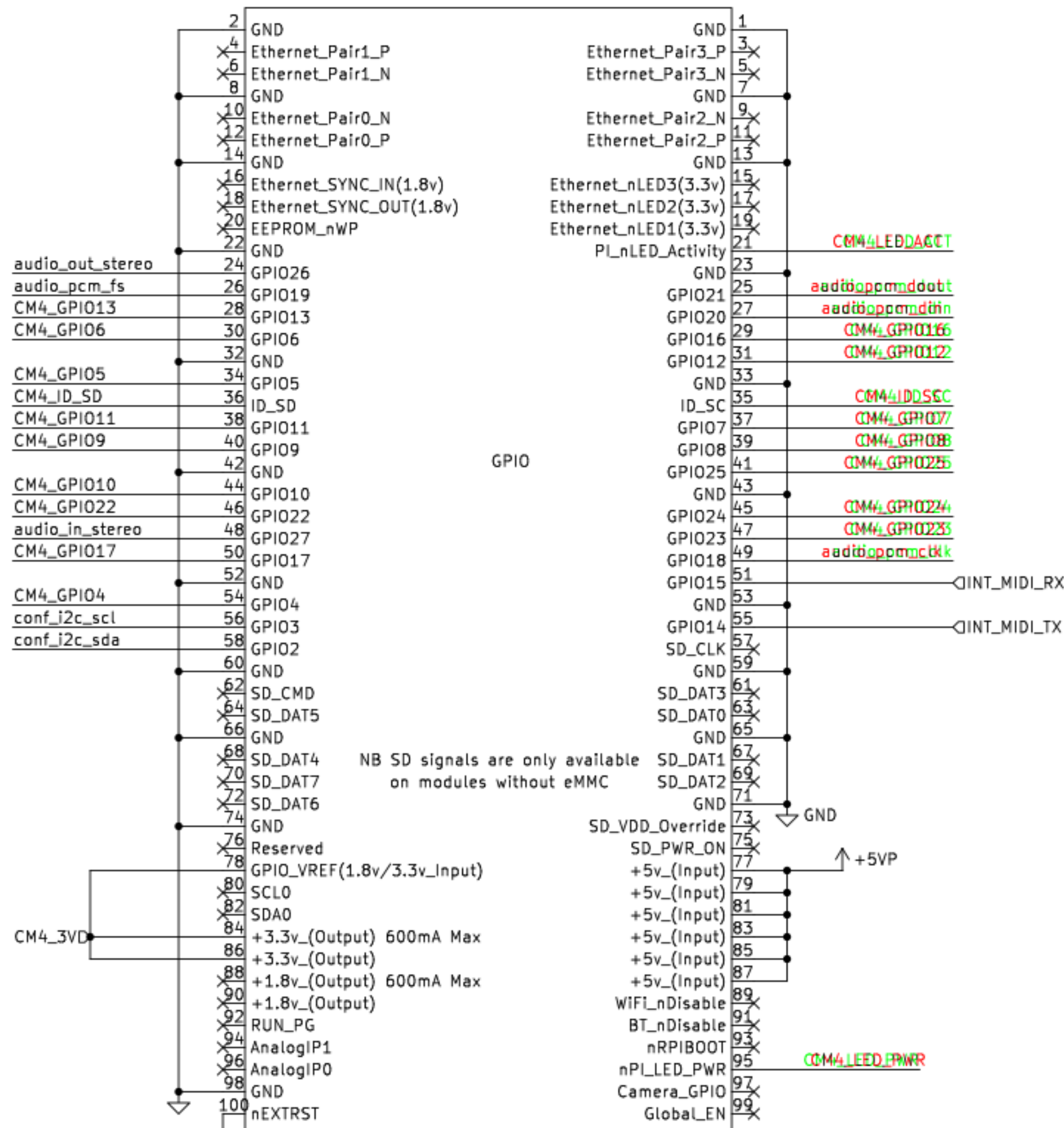
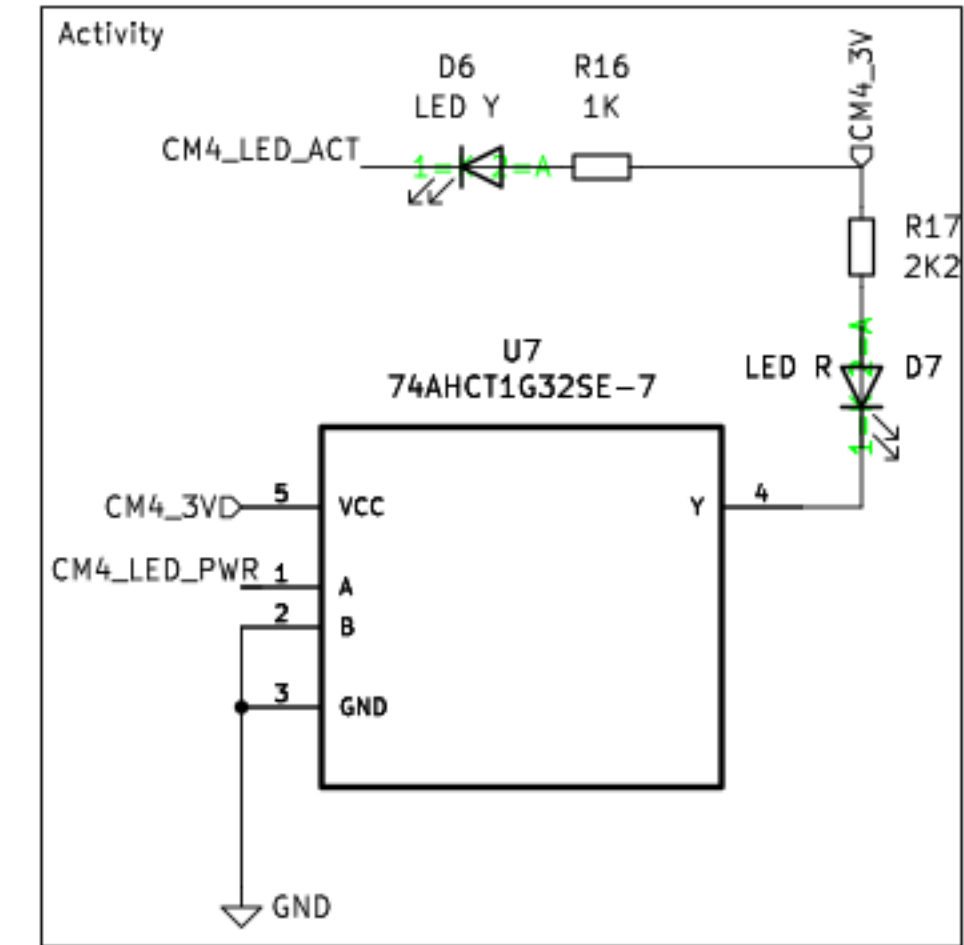
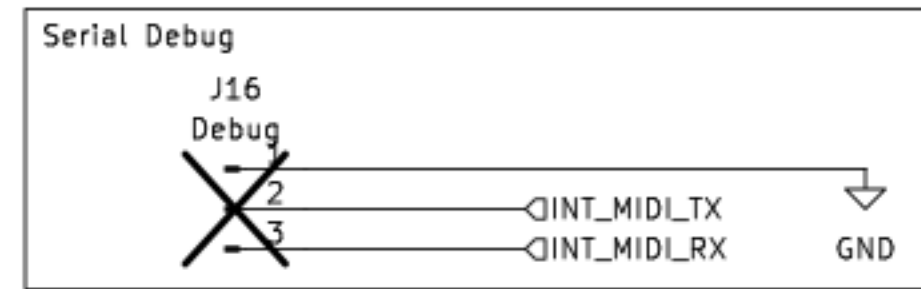


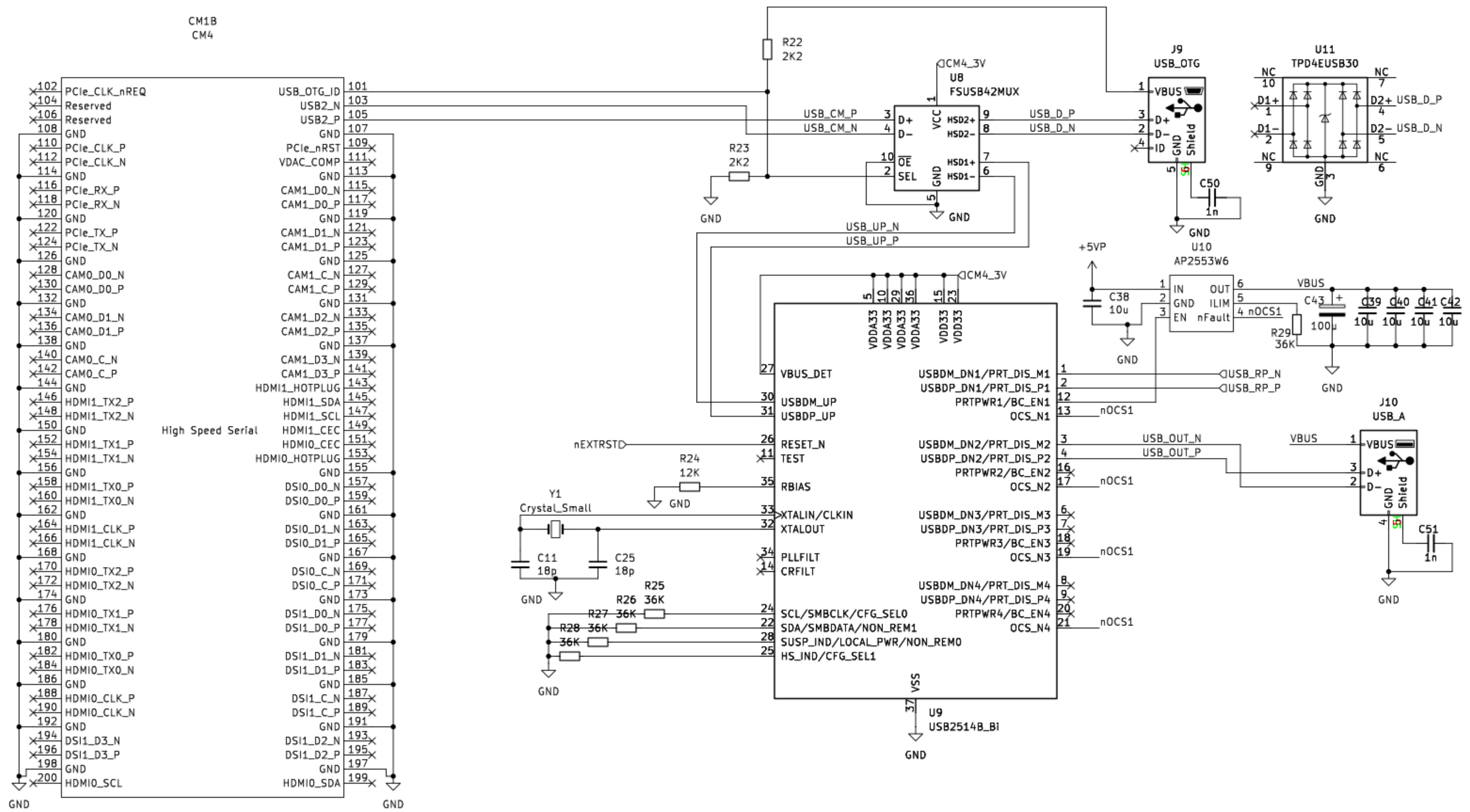
- H1 MountingHole
- H14 MountingHole
- FID1 Fiducial
- FID2 Fiducial
- H3 MountingHole
- H15 MountingHole
- FID4 Fiducial
- FID3 Fiducial
- H16 MountingHole



CM1A  
CM4



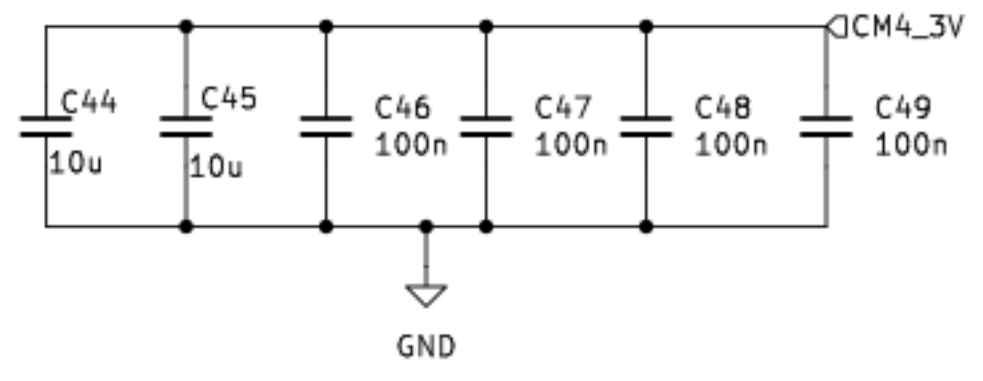
# /Connectivity



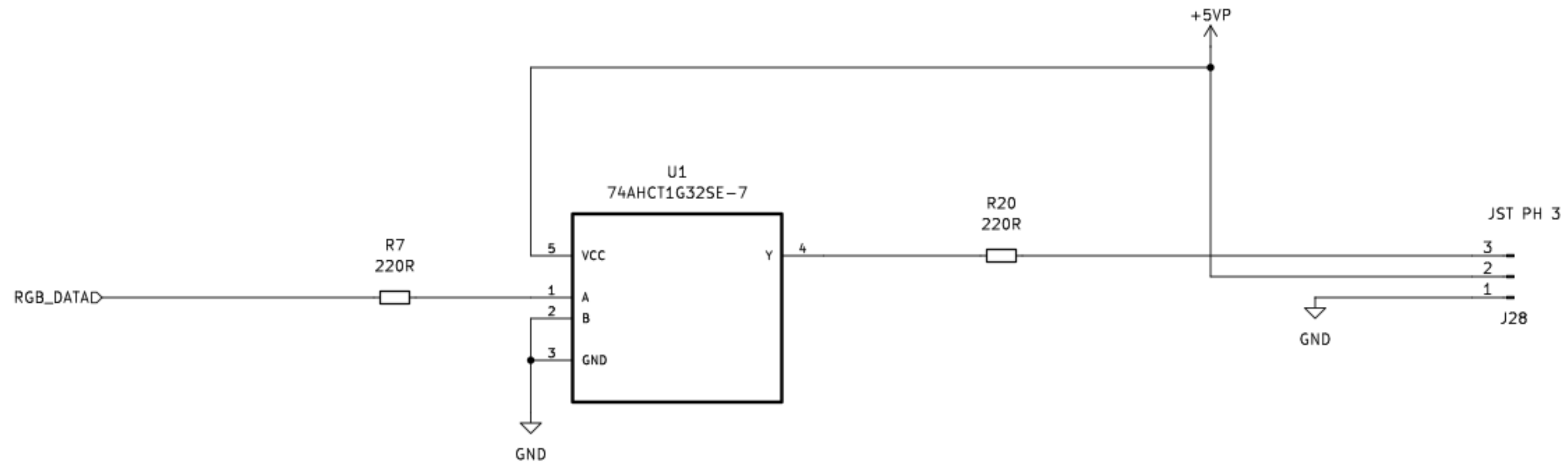
CM1B  
CM4

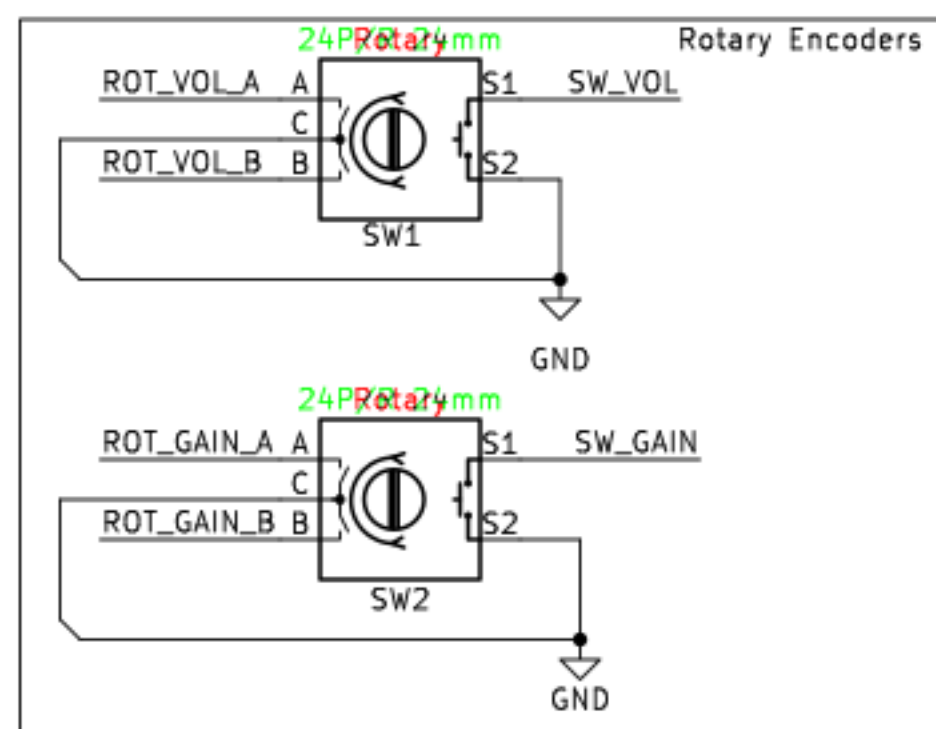
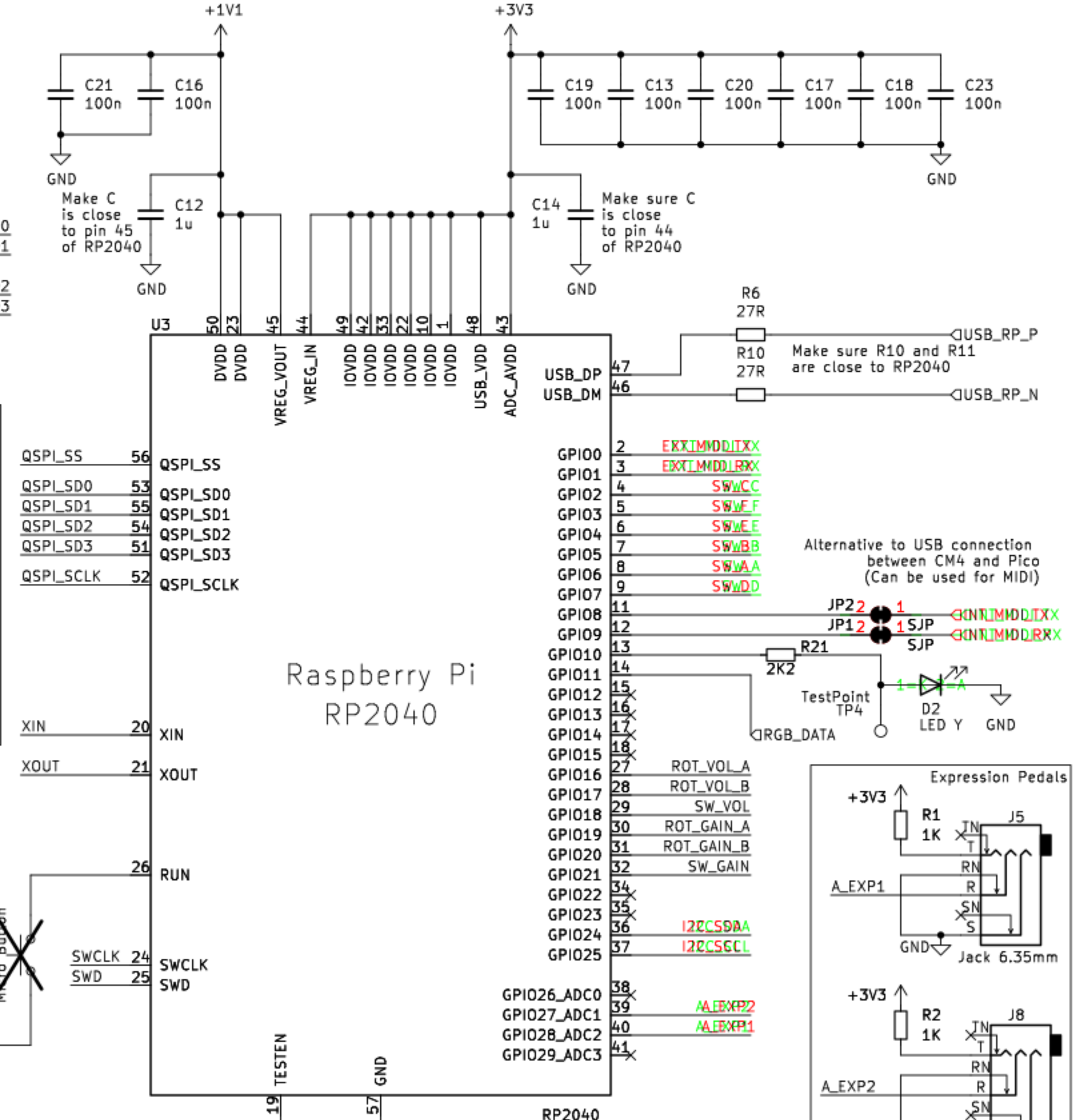
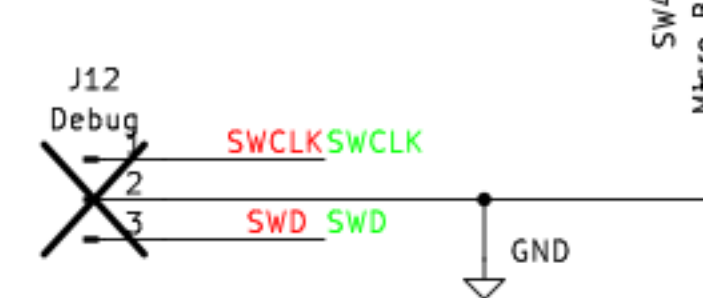
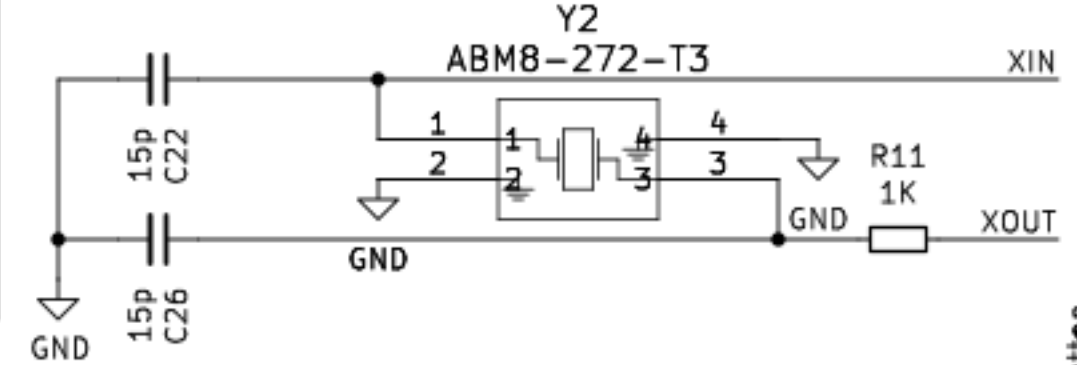
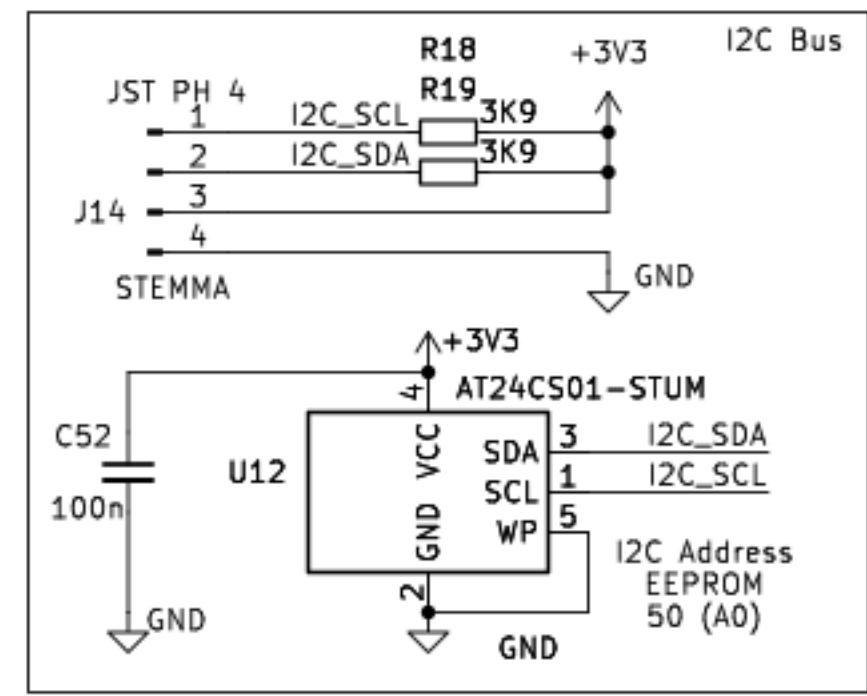
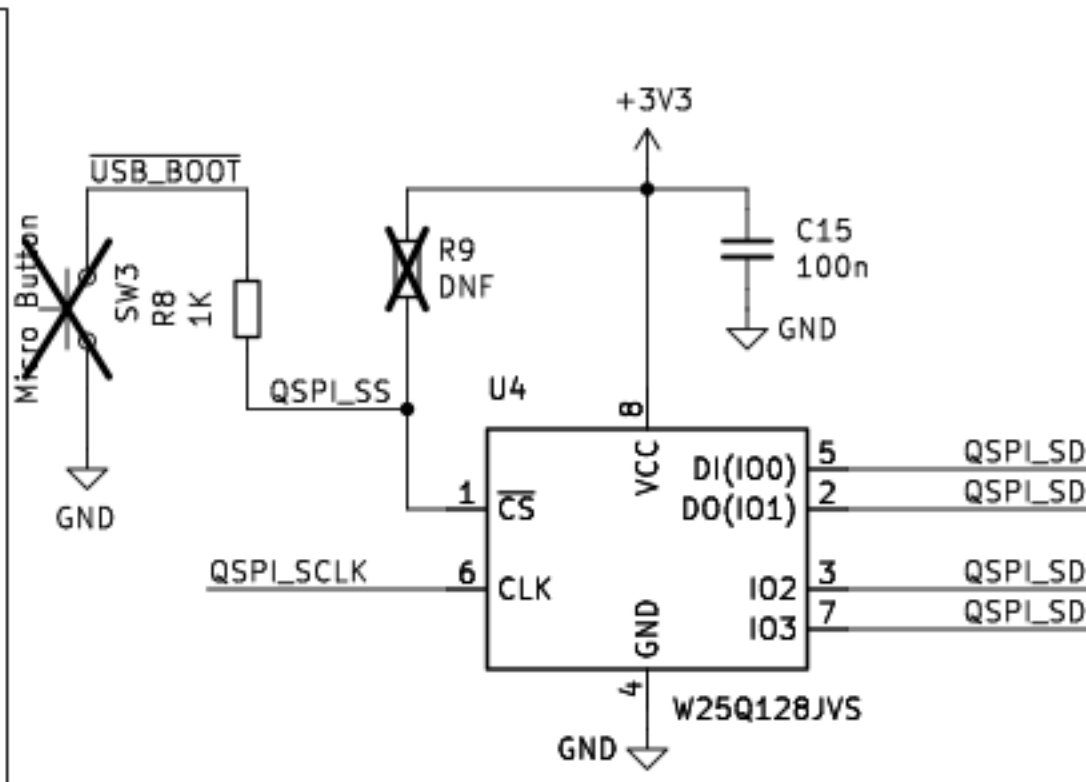
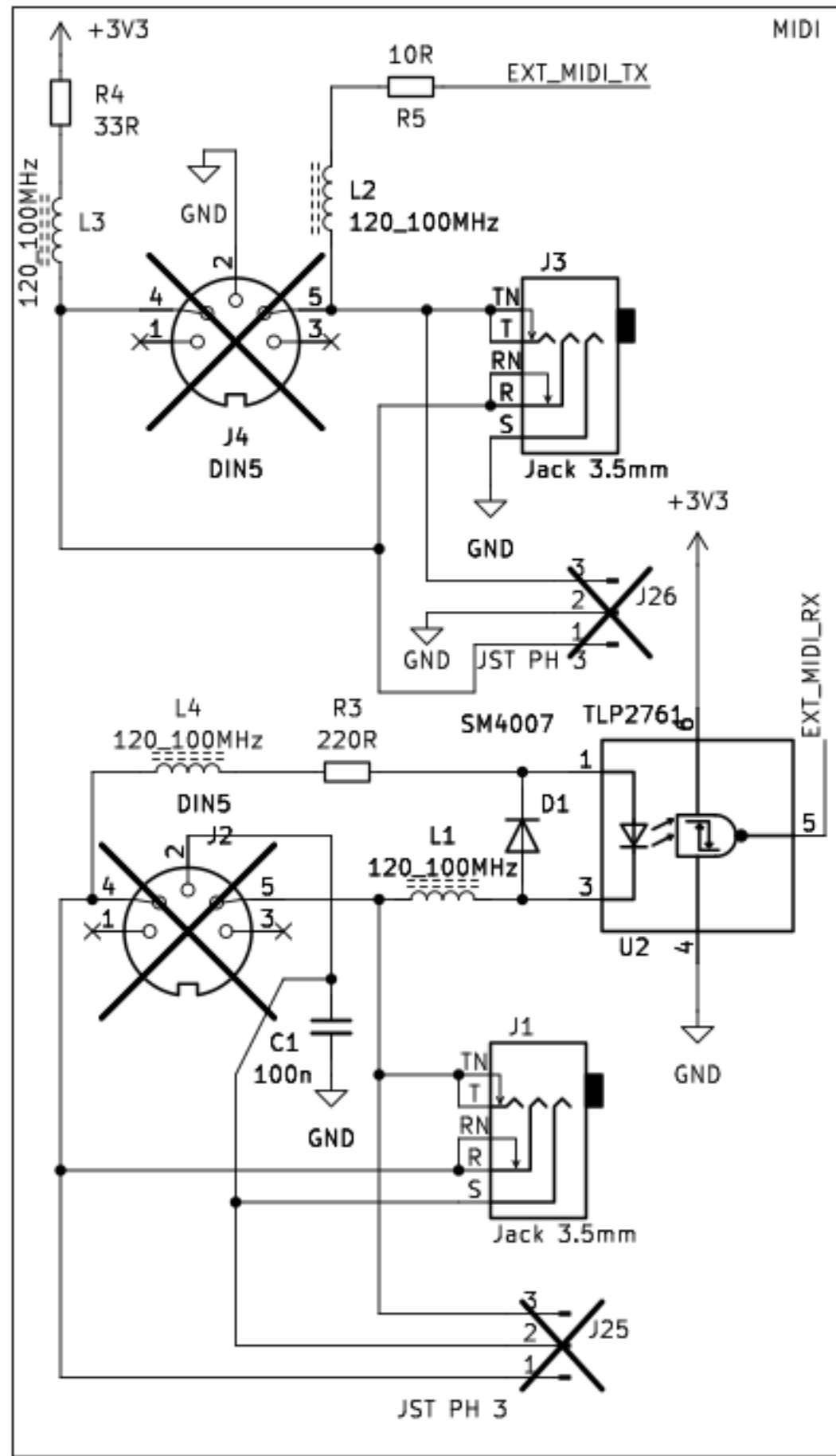
102	PCle_CLK_nREQ	101	USB_OTG_ID
104	Reserved	103	USB2_N
106	Reserved	105	USB2_P
108	GND	107	GND
110	PCle_CLK_P	109	PCle_nRST
112	PCle_CLK_N	111	VDAC_COMP
114	GND	113	GND
116	PCle_RX_P	115	CAM1_D0_N
118	PCle_RX_N	117	CAM1_D0_P
120	GND	119	GND
122	PCle_TX_P	121	CAM1_D1_N
124	PCle_TX_N	123	CAM1_D1_P
126	GND	125	GND
128	CAM0_D0_N	127	CAM1_C_N
130	CAM0_D0_P	129	CAM1_C_P
132	GND	131	GND
134	CAM0_D1_N	133	CAM1_D2_N
136	CAM0_D1_P	135	CAM1_D2_P
138	GND	137	GND
140	CAM0_C_N	139	CAM1_D3_N
142	CAM0_C_P	141	CAM1_D3_P
144	GND	143	HDMI1_HOTPLUG
146	HDMI1_TX2_P	145	HDMI1_SDA
148	HDMI1_TX2_N	147	HDMI1_SCL
150	GND	149	HDMI1_CEC
152	HDMI1_TX1_P	151	HDMI0_CEC
154	HDMI1_TX1_N	153	HDMI0_HOTPLUG
156	GND	155	GND
158	HDMI1_TX0_P	157	DSIO_D0_N
160	HDMI1_TX0_N	159	DSIO_D0_P
162	GND	161	GND
164	HDMI1_CLK_P	163	DSIO_D1_N
166	HDMI1_CLK_N	165	DSIO_D1_P
168	GND	167	GND
170	HDMI0_TX2_P	169	DSIO_C_N
172	HDMI0_TX2_N	171	DSIO_C_P
174	GND	173	GND
176	HDMI0_TX1_P	175	DSI1_D0_N
178	HDMI0_TX1_N	177	DSI1_D0_P
180	GND	179	GND
182	HDMI0_TX0_P	181	DSI1_D1_N
184	HDMI0_TX0_N	183	DSI1_D1_P
186	GND	185	GND
188	HDMI0_CLK_P	187	DSI1_C_N
190	HDMI0_CLK_N	189	DSI1_C_P
192	GND	191	GND
194	DSI1_D3_N	193	DSI1_D2_N
196	DSI1_D3_P	195	DSI1_D2_P
198	GND	197	GND
200	HDMI0_SCL	199	HDMI0_SDA

High Speed Serial

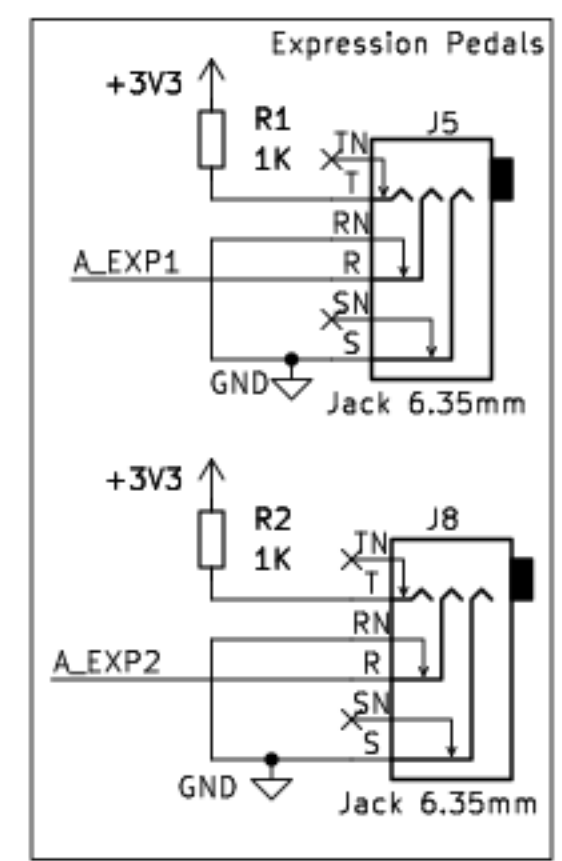
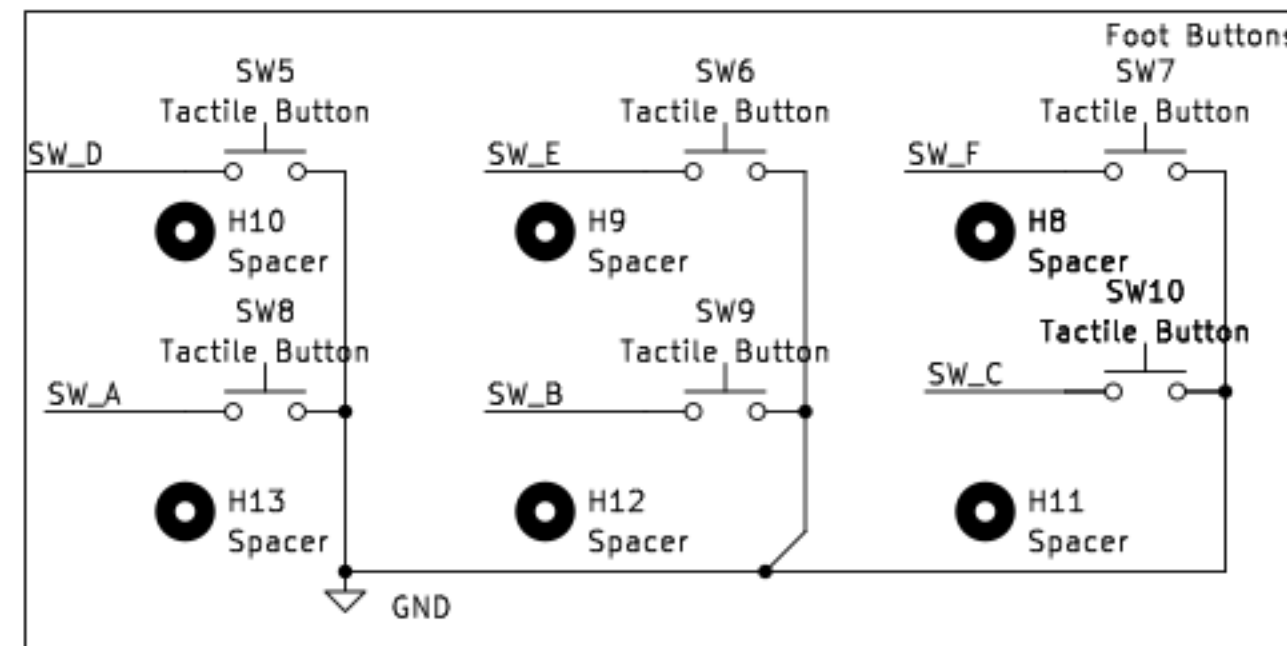


/LEDs

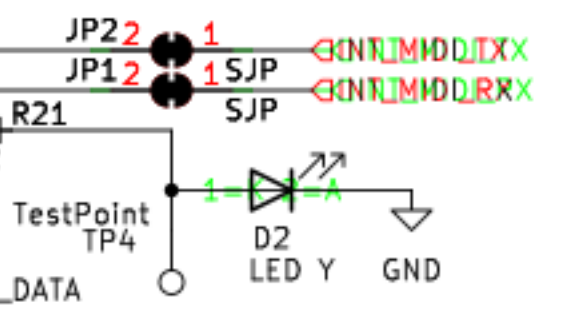




H2 Midi Bites allow to remove some of the board material that is used to hold the DIN5 or 3.5mm Jack connectors and instead mount the connectors to the case and wire them up with J15



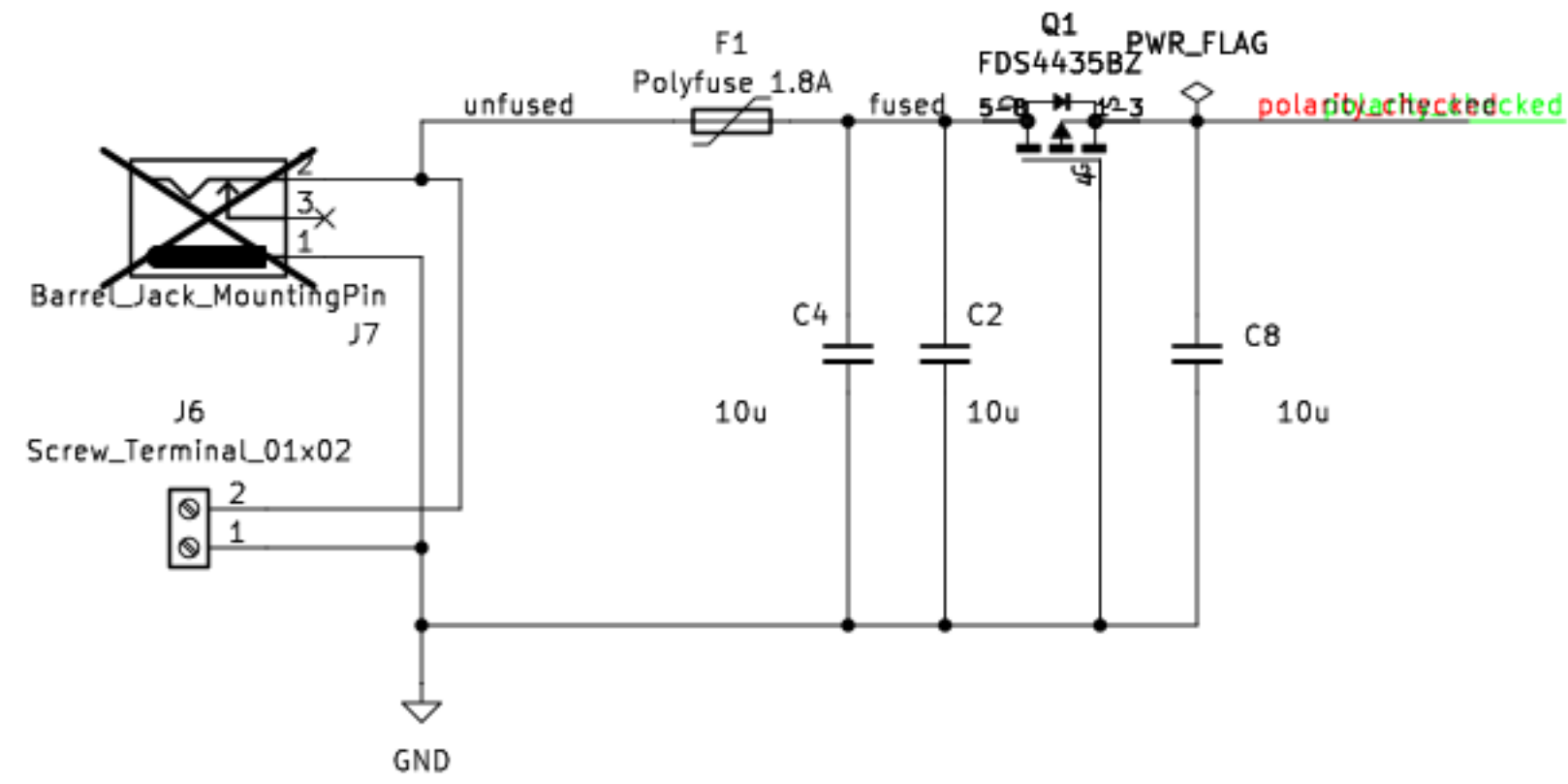
Alternative to USB connection between CM4 and Pico (Can be used for MIDI)



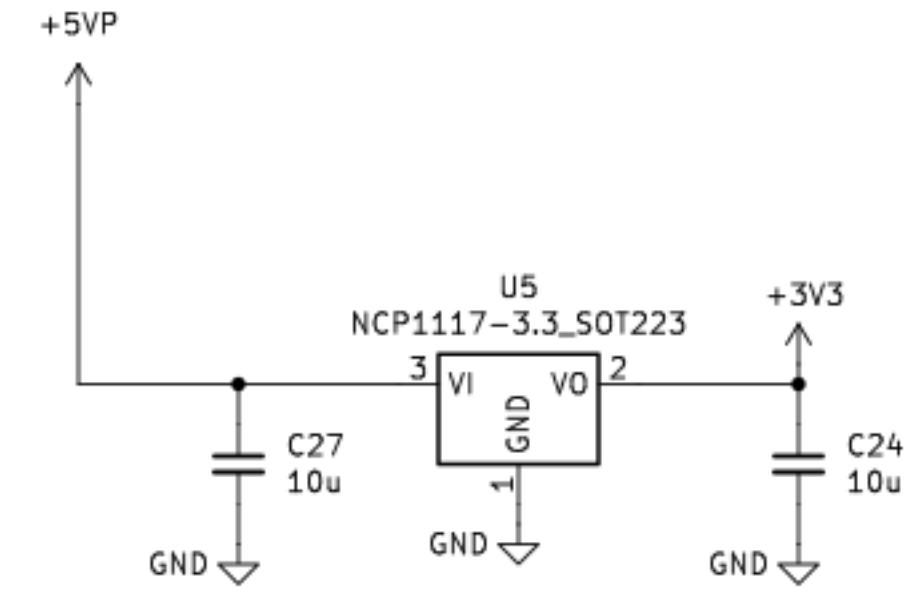
# /Power Supply

5.5mm x 2.1mm, Center Negative.

Reverse  
Polarity  
Protection



RP2040 power



+5v @ 3A PSU ( 7.5v-28v Input )

