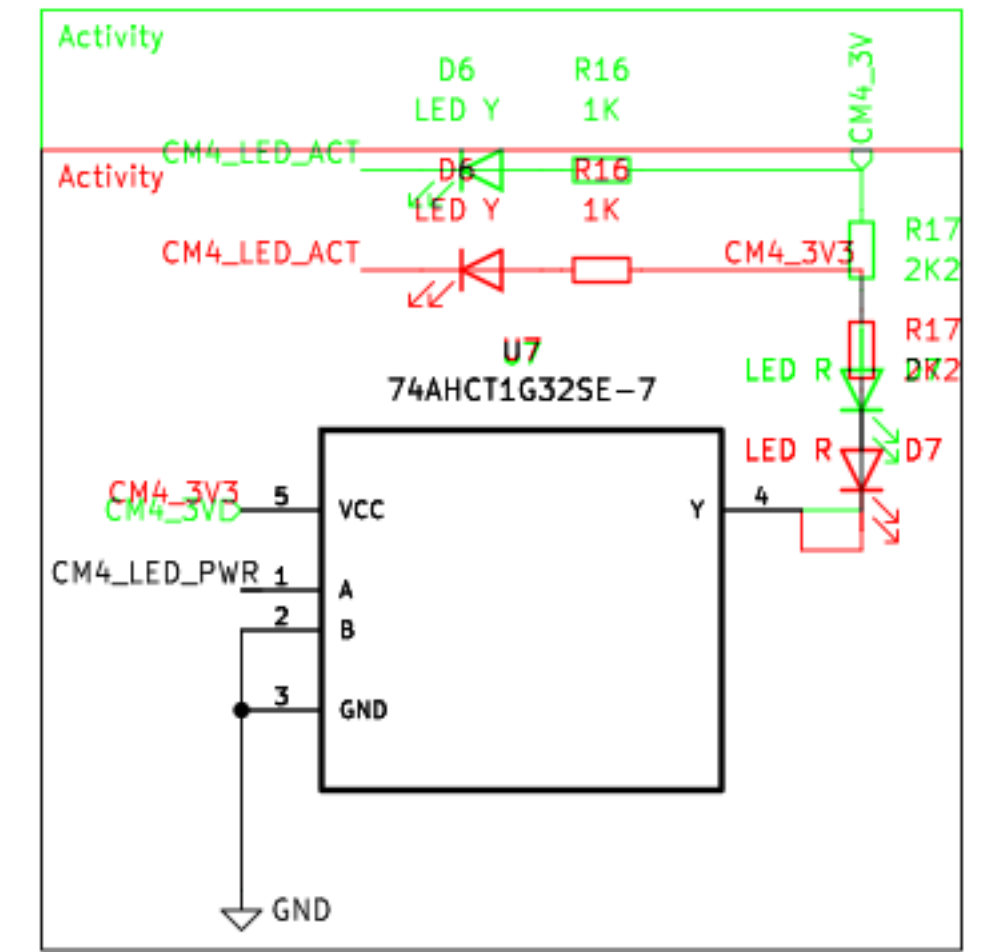
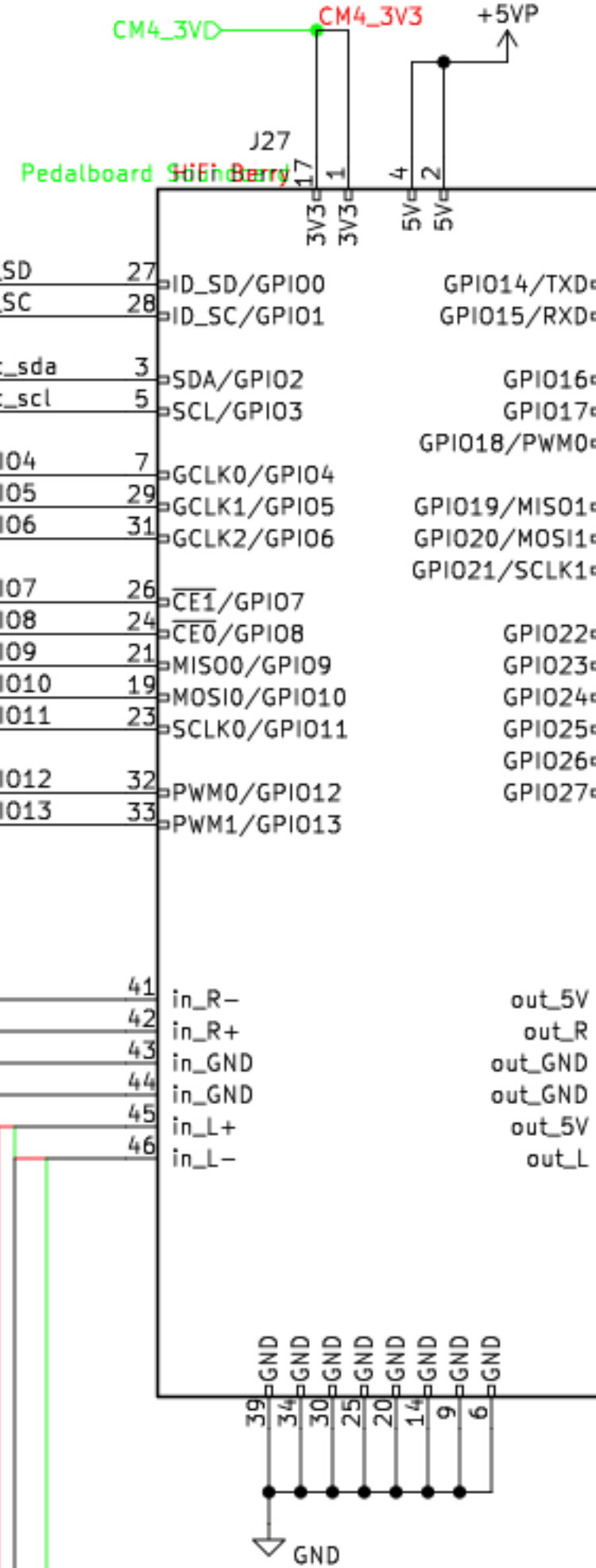
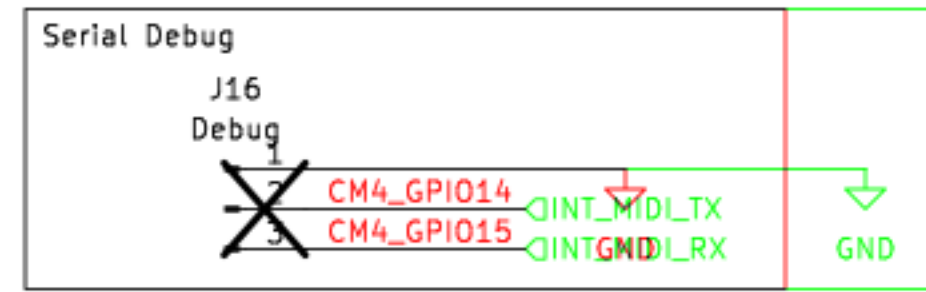
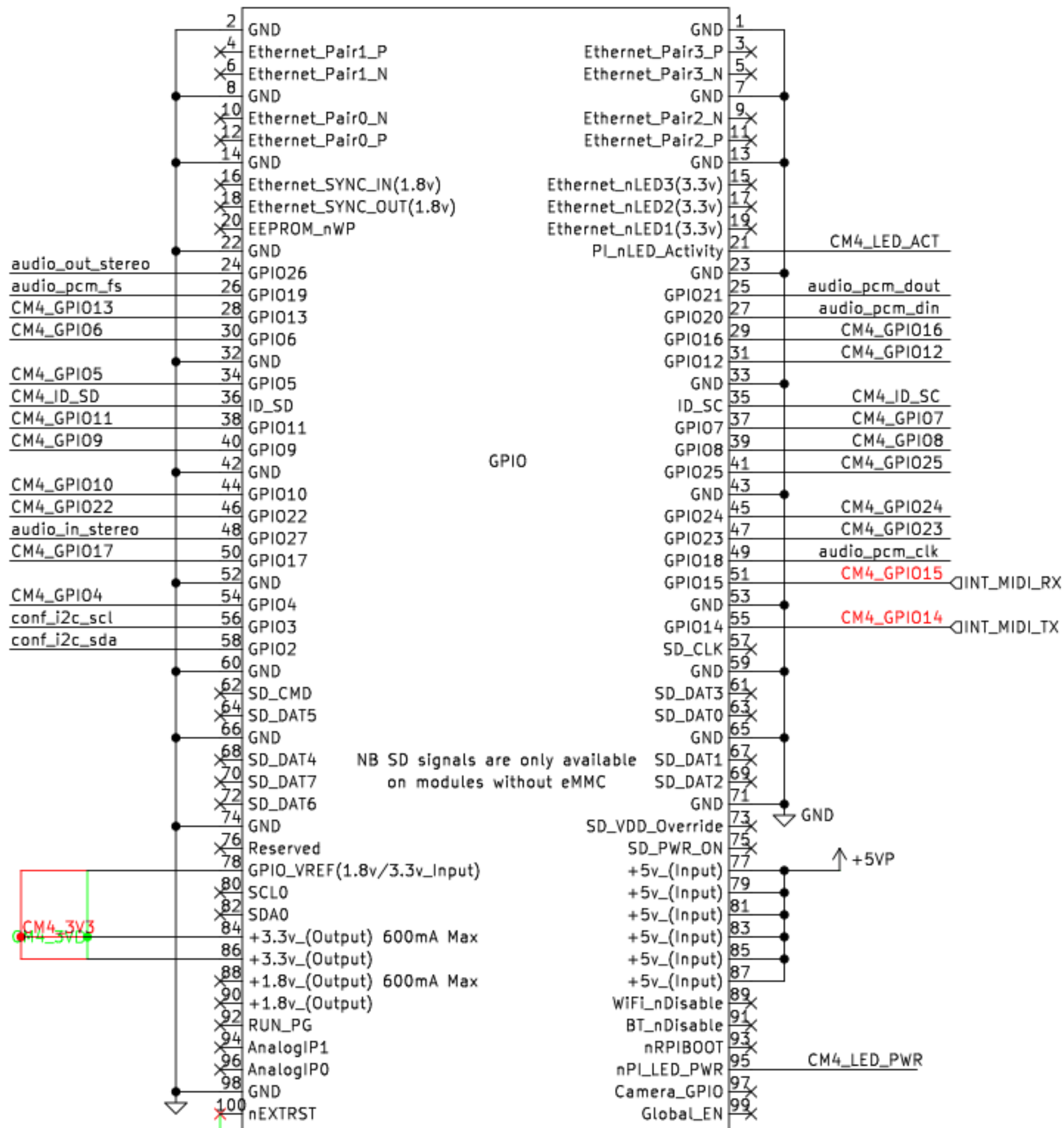


- H1 MountingHole
- H14 MountingHole
- FID1 Fiducial
- FID2 Fiducial
- H3 MountingHole
- H15 MountingHole
- FID4 Fiducial
- FID3 Fiducial
- H16 MountingHole

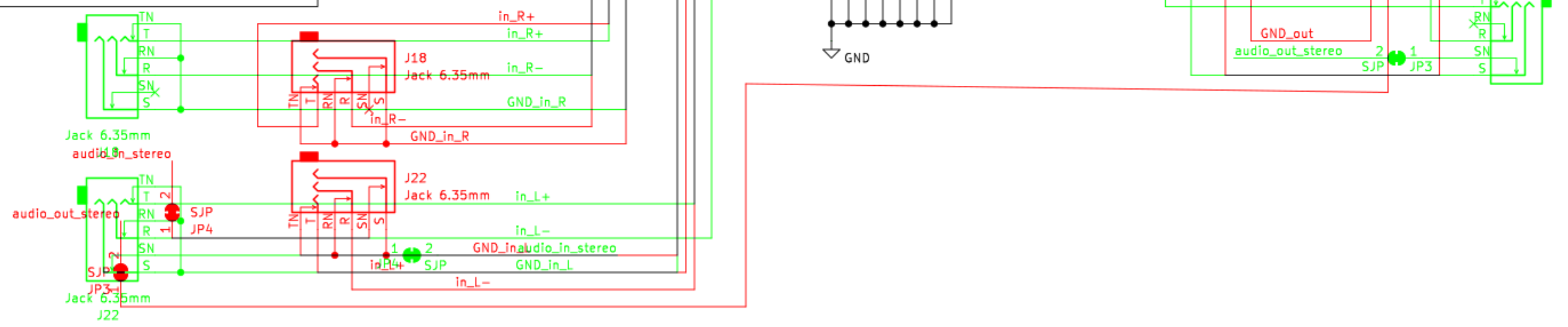
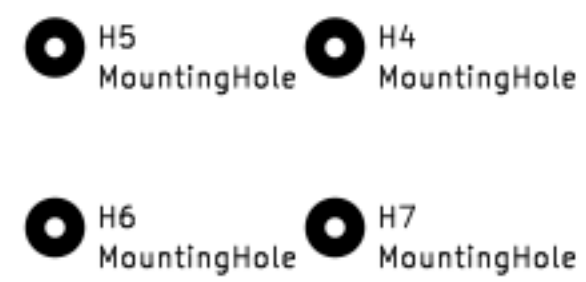


CM1A
CM4

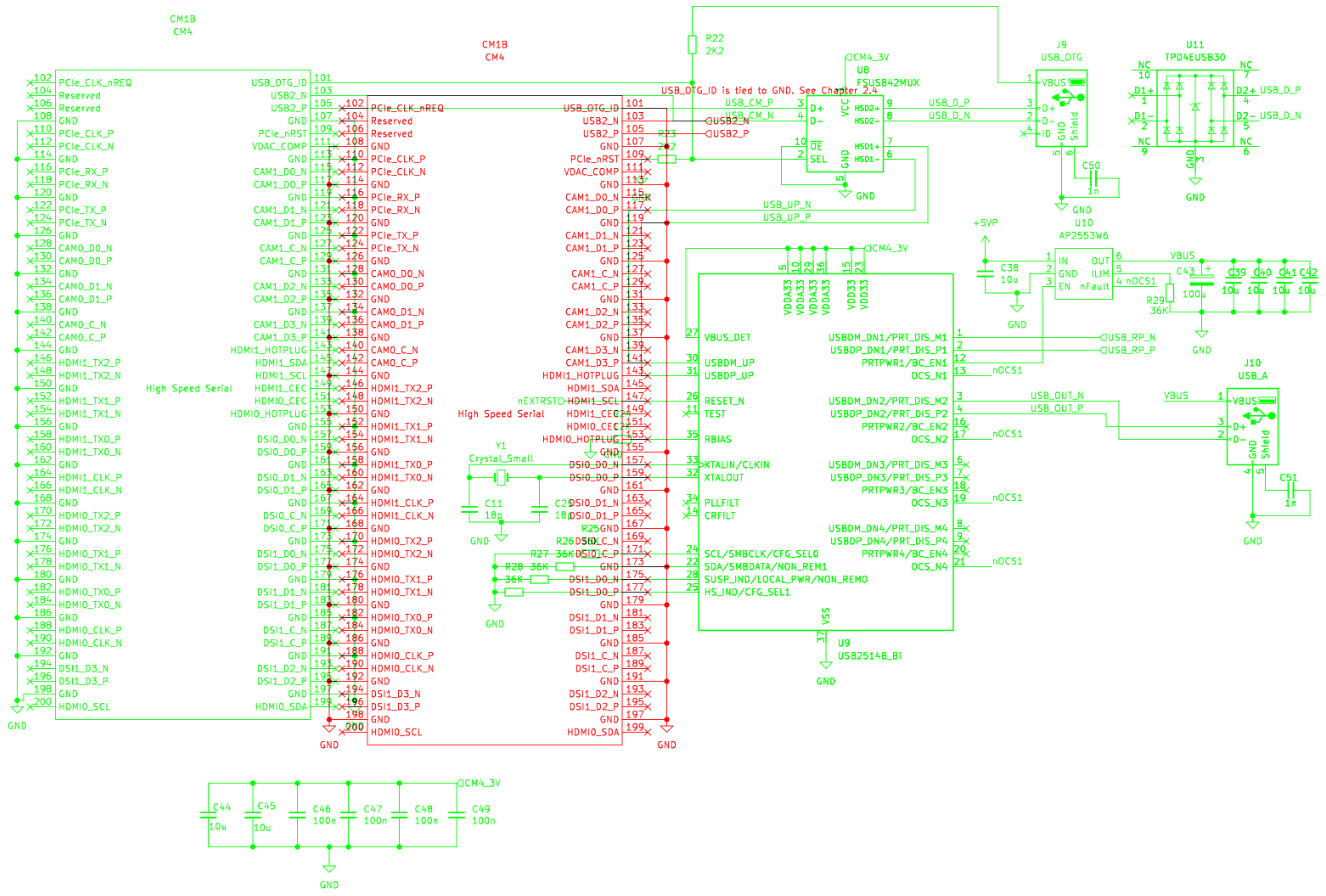


NB SD signals are only available on modules without eMMC

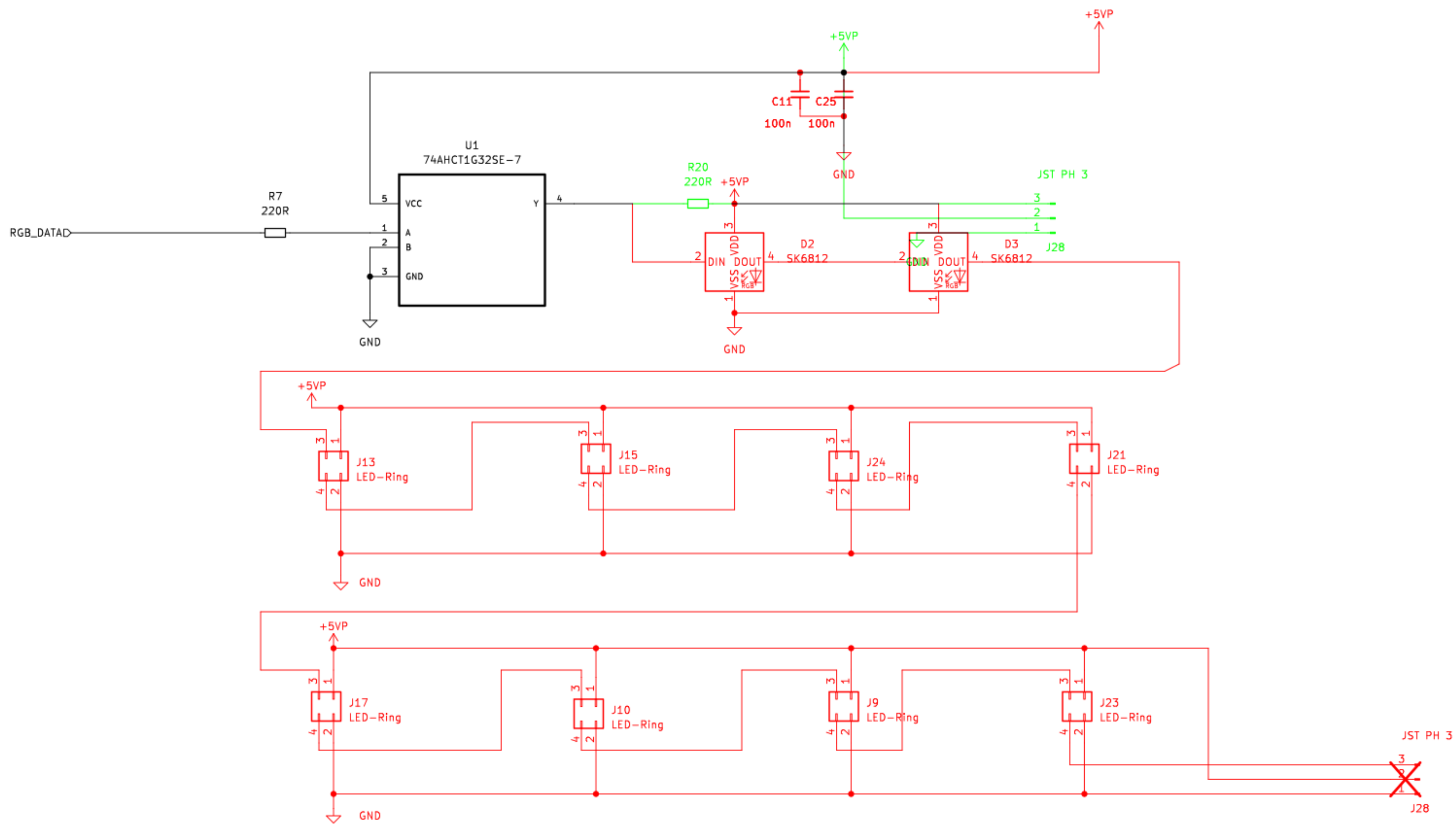
JP4 and JP6: Close to support differential output. HIFiberry has 5V on these outputs!



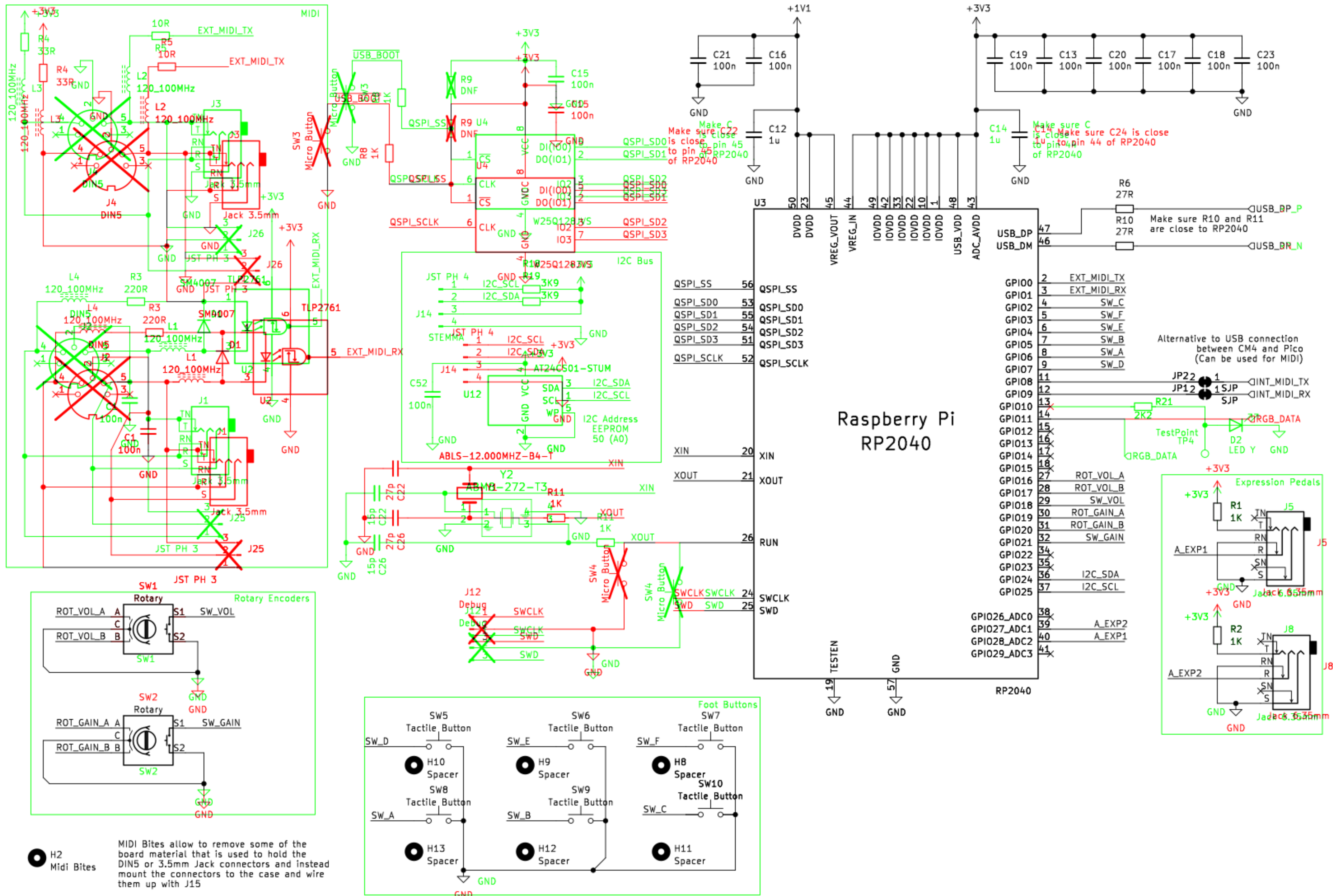
/Connectivity



/LEDs



Either the single LEDs or the LED rings can be populated.



/Power Supply

5.5mm x 2.1mm, Center Negative.

Reverse
Polarity
Protection

