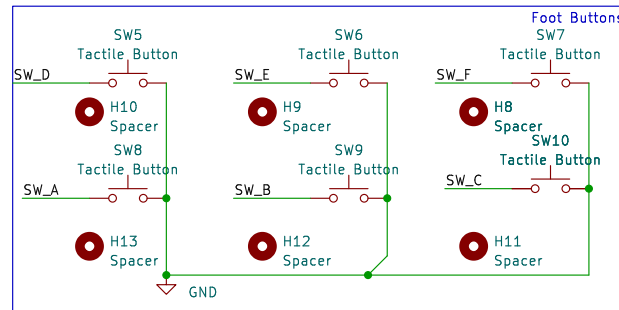
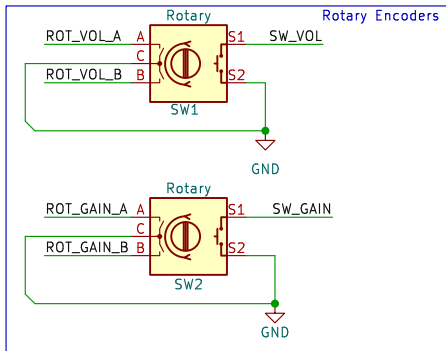
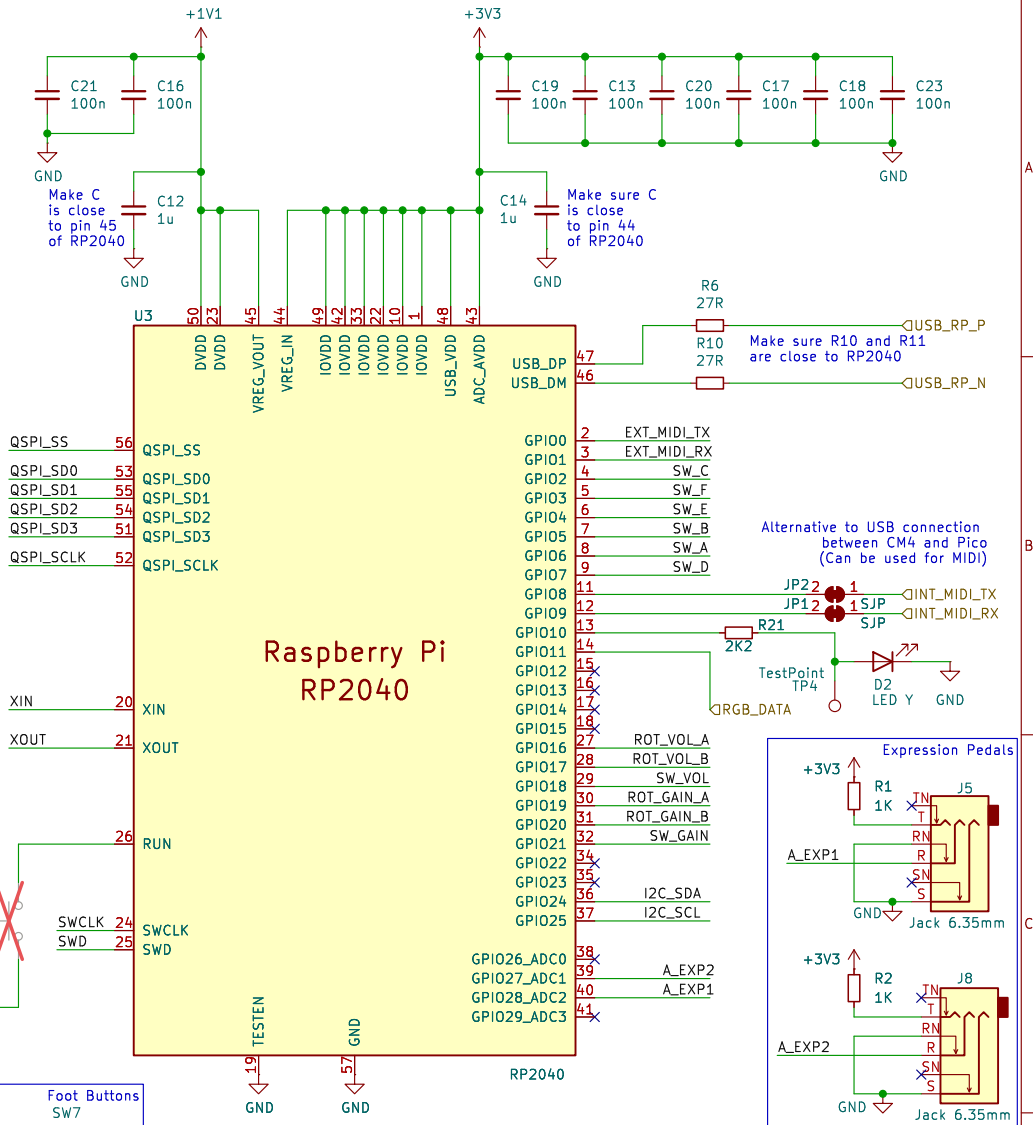
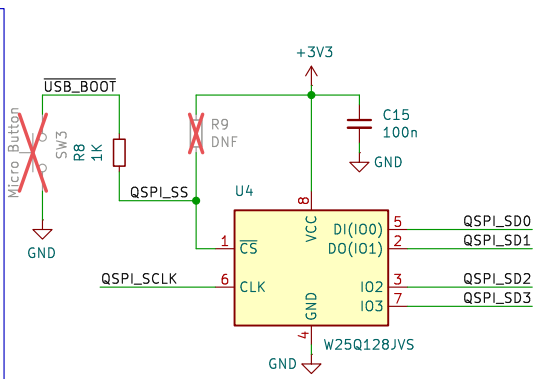
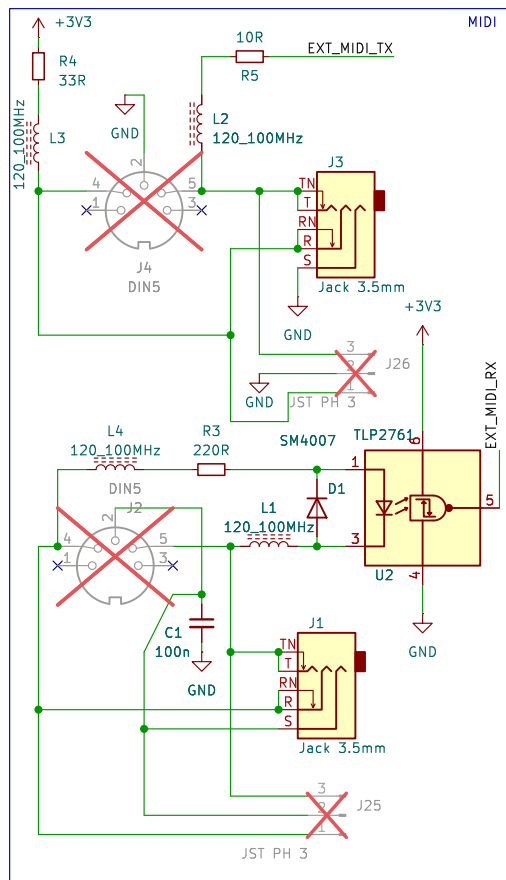


- H1 MountingHole
- H3 MountingHole
- H14 MountingHole
- H15 MountingHole
- H16 MountingHole
- FID1 Fiducial
- FID2 Fiducial
- FID3 Fiducial
- FID4 Fiducial



Git commit hash: 980e961		
License: CERN Open Hardware Licence Version 2 – Permissive		
Source Code: https://github.com/pedalboard/pedalboard-hw		
https://github.com/pedalboard		
Sheet: /		
File: pedalboard-hw.kicad_sch		
Title: Open Pedalboard Mainboard		
Size: A4	Date: 2024-10-16	Rev: 4.0.0
KiCad E.D.A. 8.0.4		Id: 1/6



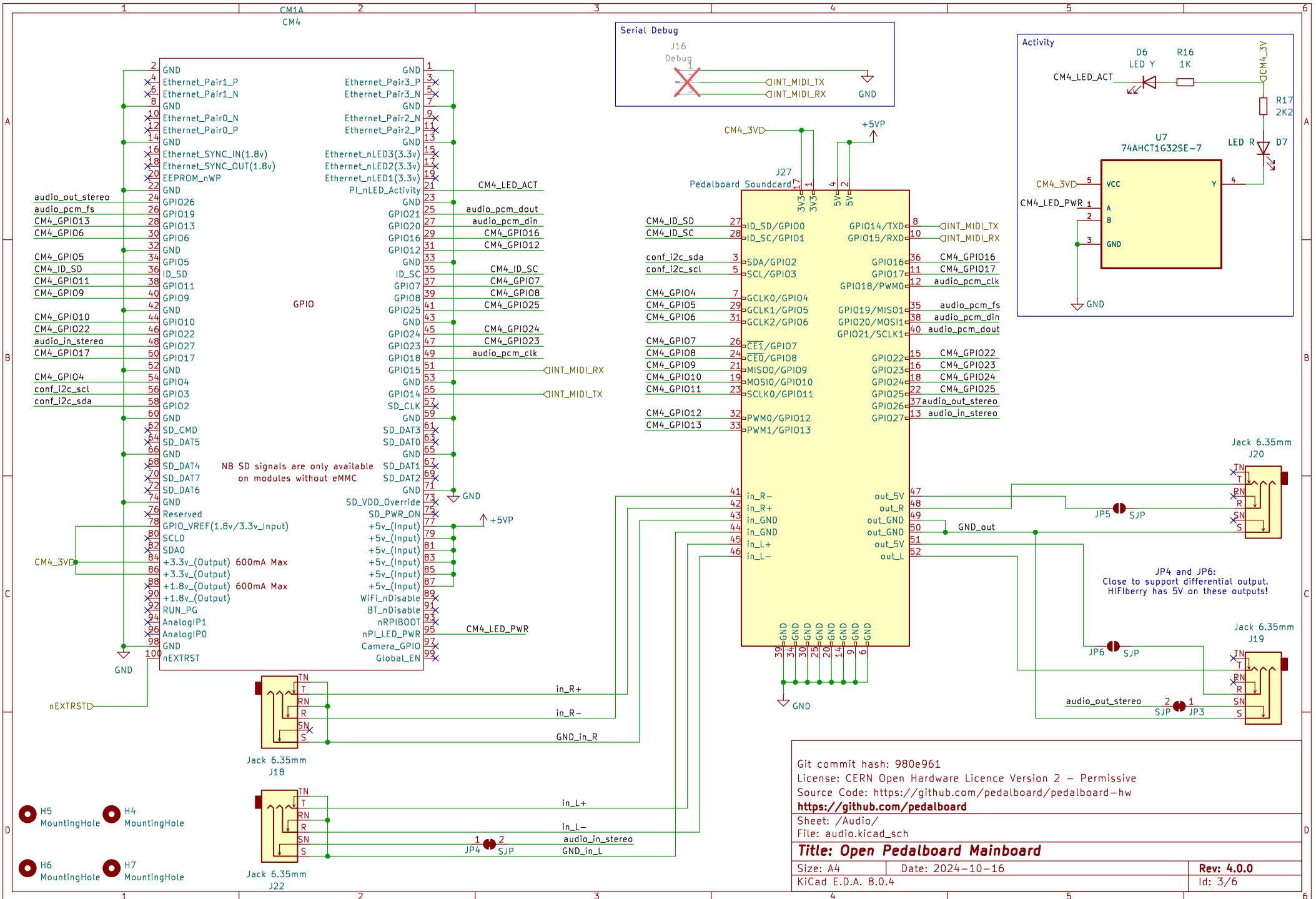
H2 Midi Bites

MIDI Bites allow to remove some of the board material that is used to hold the DIN5 or 3.5mm Jack connectors and instead mount the connectors to the case and wire them up with J15

Git commit hash: 980e961
 License: CERN Open Hardware Licence Version 2 – Permissive
 Source Code: <https://github.com/pedalboard/pedalboard-hw>
<https://github.com/pedalboard>

Sheet: /MIDI/
 File: pico.kicad_sch
Title: Open Pedalboard Mainboard

Size: A4	Date: 2024-10-16	Rev: 4.0.0
KiCad E.D.A. 8.0.4		Id: 2/6



Git commit hash: 980e961
 License: CERN Open Hardware Licence Version 2 – Permissive
 Source Code: <https://github.com/pedalboard/pedalboard-hw>
<https://github.com/pedalboard>

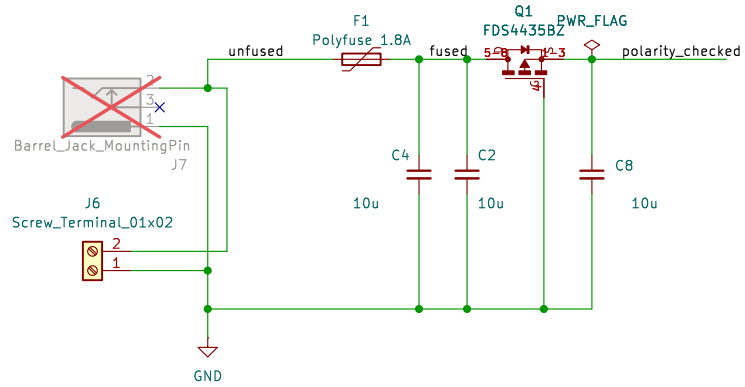
Sheet: /Audio/
 File: audio.kicad_sch

Title: Open Pedalboard Mainboard

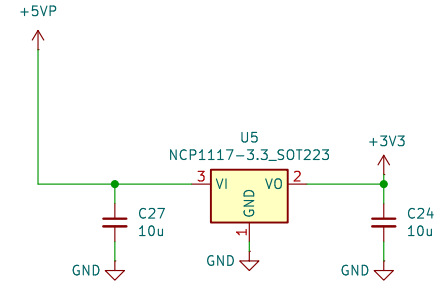
Size: A4	Date: 2024-10-16	Rev: 4.0.0
KiCad E.D.A. 8.0.4		Id: 3/6

5.5mm x 2.1mm, Center Negative.

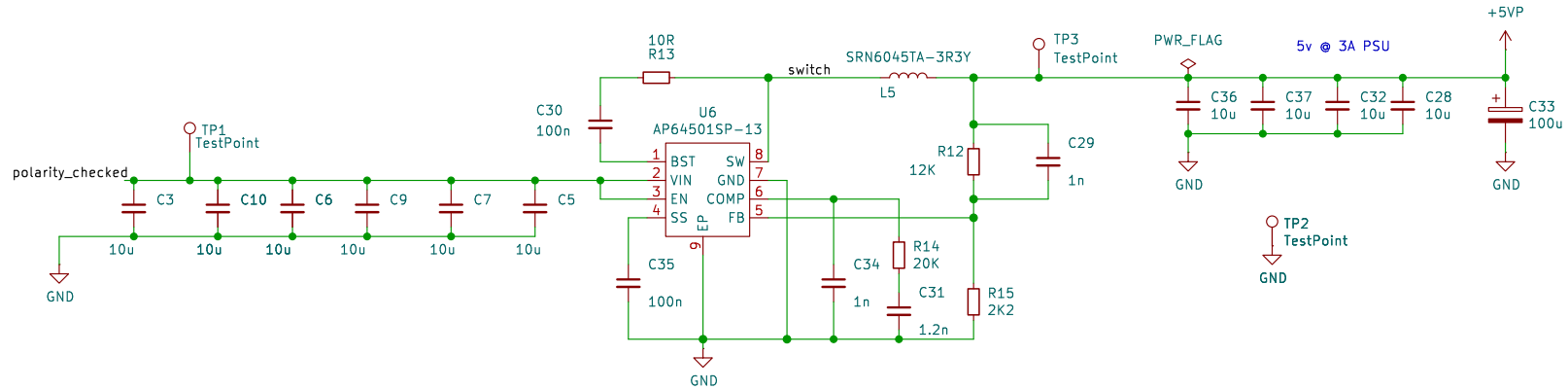
Reverse
Polarity
Protection



RP2040 power



+5v @ 3A PSU (7.5v-28v Input)



Git commit hash: 980e961

License: CERN Open Hardware Licence Version 2 – Permissive

Source Code: <https://github.com/pedalboard/pedalboard-hw>

<https://github.com/pedalboard>

Sheet: /Power Supply/

File: psu.kicad_sch

Title: Open Pedalboard Mainboard

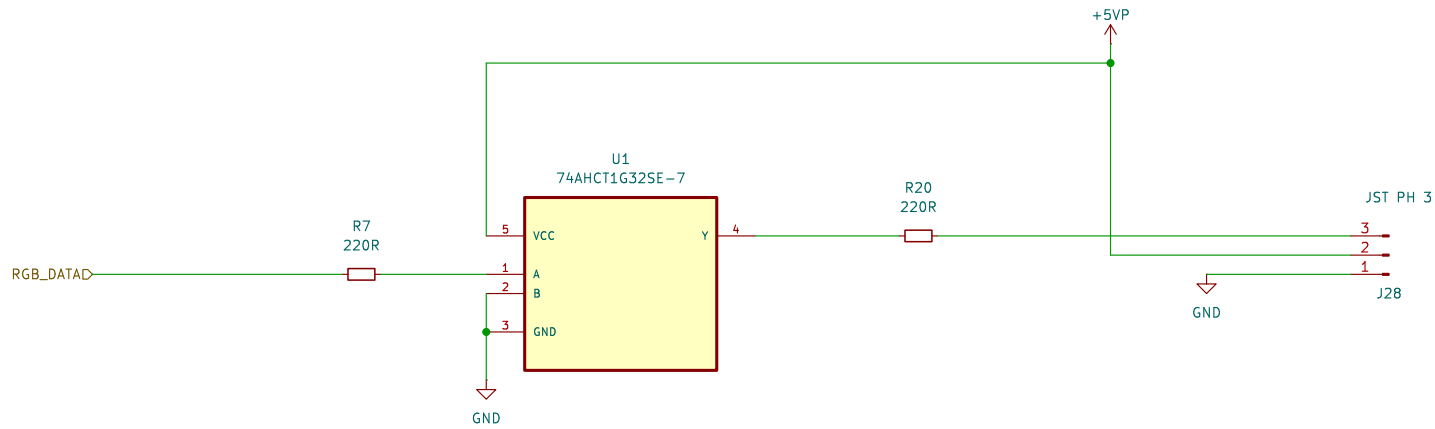
Size: A4

Date: 2024-10-16

Rev: 4.0.0

KiCad E.D.A. 8.0.4

Id: 4/6



Git commit hash: 980e961
License: CERN Open Hardware Licence Version 2 – Permissive
Source Code: <https://github.com/pedalboard/pedalboard-hw>
<https://github.com/pedalboard>

Sheet: /LEDs/
File: leds.kicad_sch

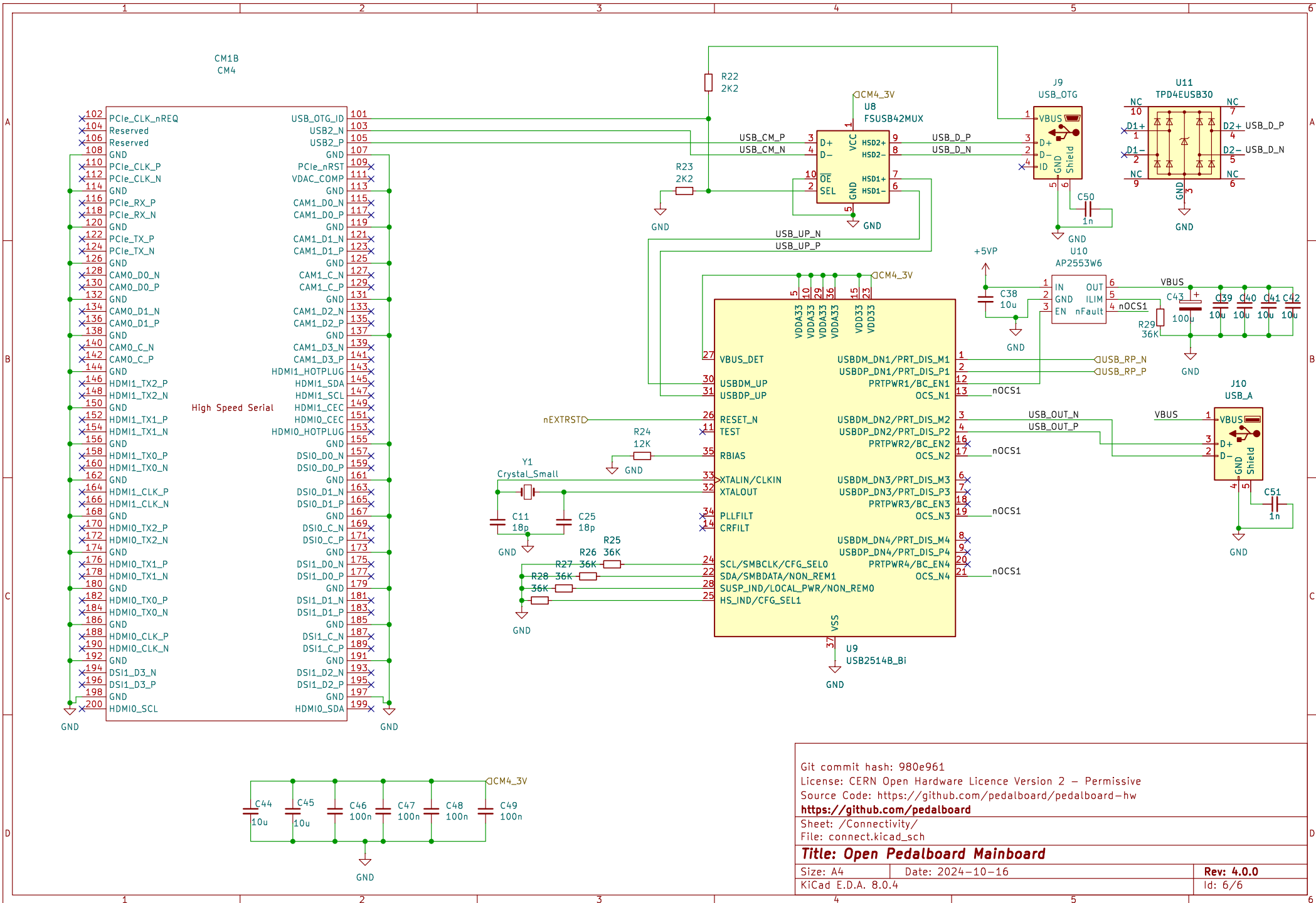
Title: Open Pedalboard Mainboard

Size: A4 Date: 2024-10-16

Rev: 4.0.0

KiCad E.D.A. 8.0.4

Id: 5/6



Git commit hash: 980e961
 License: CERN Open Hardware Licence Version 2 – Permissive
 Source Code: <https://github.com/pedalboard/pedalboard-hw>
<https://github.com/pedalboard>

Sheet: /Connectivity/
 File: connect.kicad_sch

Title: Open Pedalboard Mainboard

Size: A4 Date: 2024-10-16

KiCad E.D.A. 8.0.4

Rev: 4.0.0

Id: 6/6