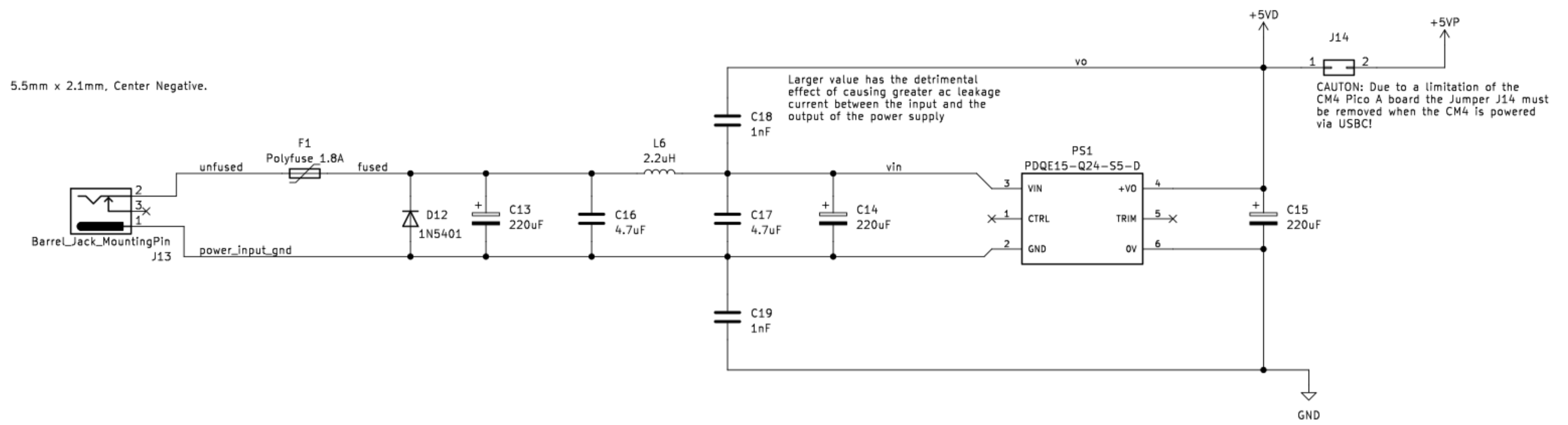


MIDI Bites allow to remove some of the board material that is used to hold the DIN5 or 3.5mm Jack connectors and instead mount the connectors to the case and wire them up with J15



# /Power Supply



EMC filter: <https://www.cui.com/blog/emi-filter-components-what-they-are-and-how-they-work>  
CM Noixe: <https://www.cui.com/blog/reducing-supply-rail-common-mode-noise-in-audio-applications>