



**ABM8-272-T3**  
Ultra Miniature Ceramic  
SMD Crystal



**RoHS**  
Compliant

Date of Issue: Sept. 16<sup>th</sup>, 2024

**3.2 x 2.5 x 0.8mm**

Application

Safety  Non-safety

Page (2) of (9)

**Abracon Drawing # 456603**

Revision #: B

**Features**

- 3.2 x 2.5 x 0.8 mm miniature package
- Suitable for RoHS compliant reflow
- Wide Operating Temperature (-40°C to +85°C)

**Applications**



- Crystal approved for use with Raspberry Pi 's RP2040 and RP235x range of microcontroller products

**Key Electrical Specifications**

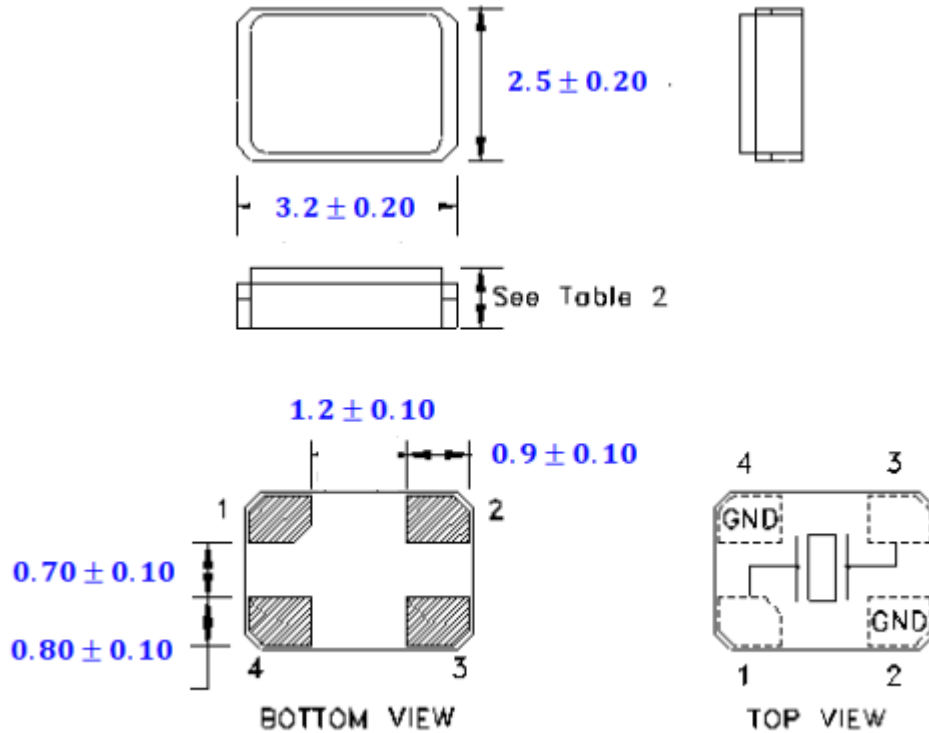
Parameters	Minimum	Typical	Maximum	Units	Notes
Center Frequency	12.000			MHz	
Operation Mode	Fundamental-AT				
Operating Temperature	-40		+85	°C	
Storage Temperature	-55		+125	°C	
Frequency Tolerance at +25 °C	-30		+30	ppm	
Frequency Stability over the Operating Temperature ( ref. to +25°C)	-30		+30	ppm	
Equivalent series resistance (R1)			50	Ω	
Shunt Capacitance (C0)			3.0	pF	
Load capacitance (CL)	10			pF	
Drive Level		10	200	μW	
Aging	-5		+5	ppm	@25±3°C, 1st year
Insulation Resistance	500			MΩ	@100Vdc±15V

**ABM8-272-T3 is RoHS/RoHS II Compliant and Pb free**

**Moisture Sensitivity Level (MSL) – This product is Hermetically Sealed and not Moisture Sensitive - MSL = 1**

 <b>ABRACON</b>	<b>ABM8-272-T3</b> Ultra Miniature Ceramic SMD Crystal	 <b>RoHS</b> Compliant
Date of Issue: Sept. 16 <sup>th</sup> , 2024	<b>3.2 x 2.5 x 0.8mm</b>	Application <input type="checkbox"/> Safety <input checked="" type="checkbox"/> Non-safety
<i>Page (4) of (9)</i>	<b>Abracon Drawing # 456603</b>	Revision #: B

### Mechanical Dimensions

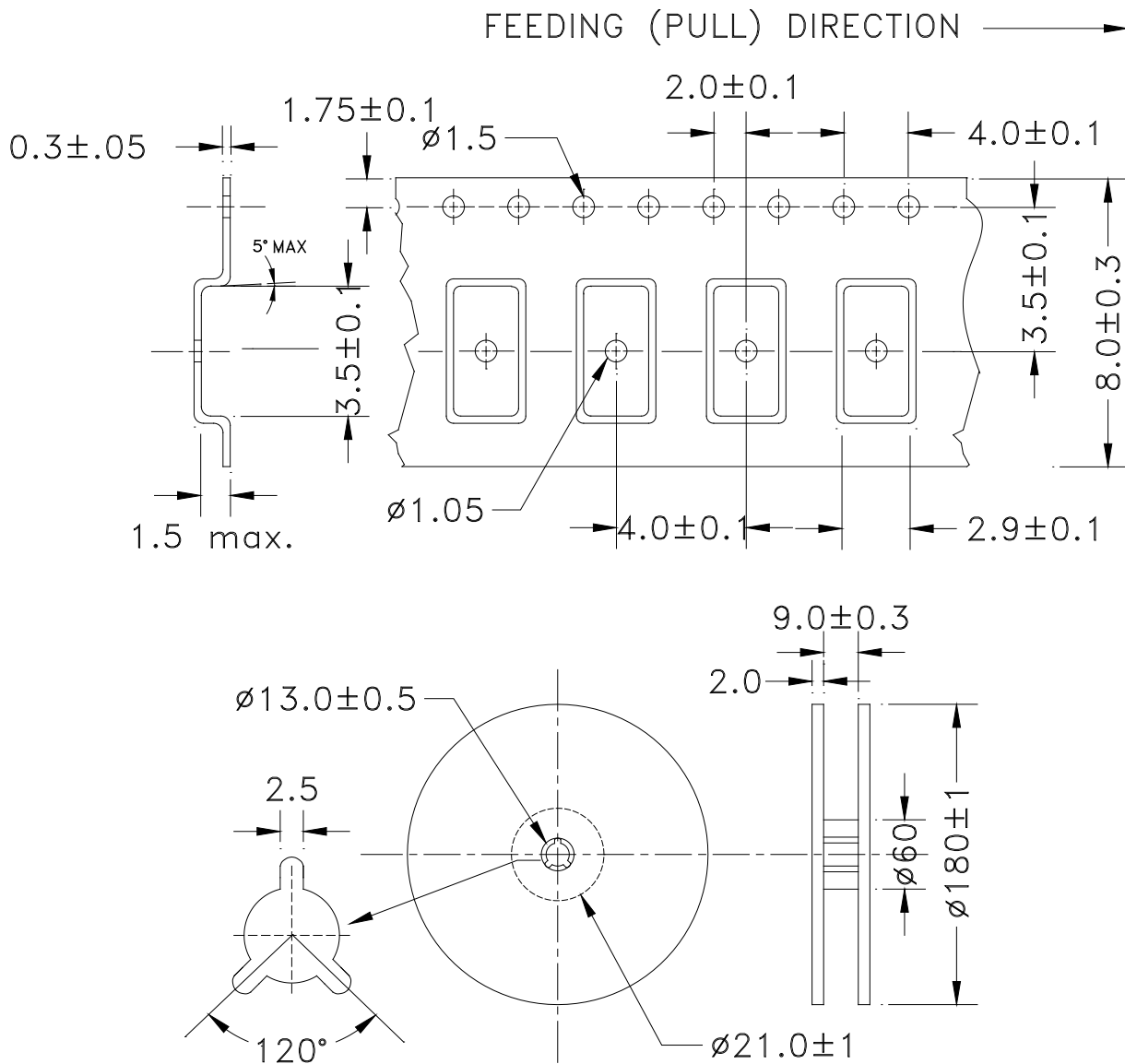


Note: Due to material availability, the chamfer could be located on pin #1, 3, or 4. Be advised that the chamfer location has no impact on the electrical performance of the device.

**Dimensions: mm**

**Packaging:**

Tape and Reel (3,000pcs/reel)


**Dimensions: mm**